



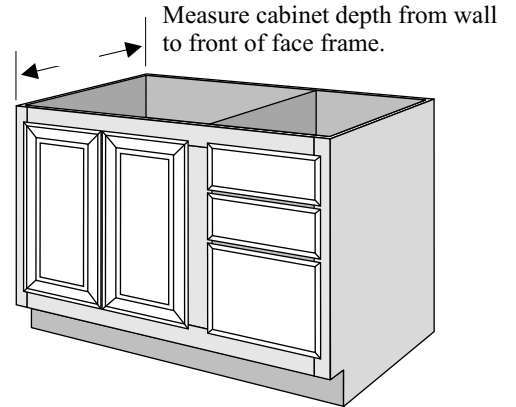
LAVATORY DESIGN WORK SHEET

Belvue, KS 66407 * (800) 669-9867 * FAX (800) 393-6699 * www.onyxcollection.com

Single Bowl Offset Lavatory

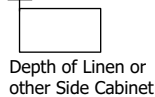
Answers to common questions:

- The dimensions of your vanity cabinet will tell you the correct dimensions and bowl layout of your Lavatory. Always give a good description of your cabinet.
- The center of each bowl should line up with the center between the cabinet doors.
- The Lavatory should overhang the cabinet in the front. The correct Lavatory depth should be 1" greater than the cabinet depth (1 1/2" for full-overlay doors).
- The Lavatory should overhang the cabinet on any ends that are not against walls. The correct Lavatory width should be greater than the cabinet width by 1/2" for each open end.
- A raised edge can be put on the front and both ends of a standard size, or on the front and only one end of a custom size.
- If a wall-side of the Lavatory is actually against a linen cabinet that is not as deep as the Lavatory, the corner that will stick out past the cabinet will also need to be finished. Always specify the depths of side cabinets.



LEFT SIDE:

- Finish
- Wall
- Sidesplash
- Short Linen

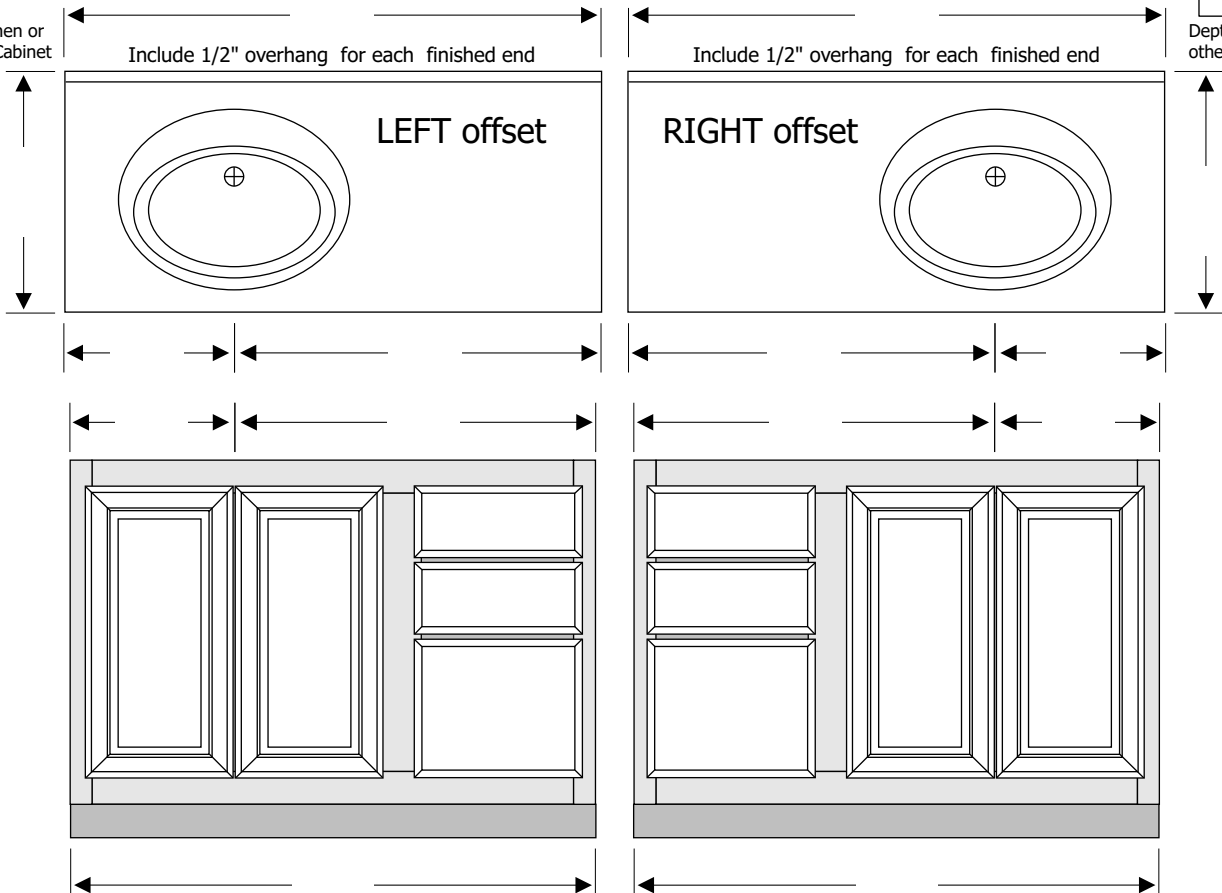
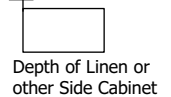


FINISHED EDGES: Raised Flat Ogee

CABINET DOORS: Standard Faceframe Full-Overlay

RIGHT SIDE:

- Finish
- Wall
- Sidesplash
- Short Linen



FILL IN THE DIMENSIONS AND FAX THIS TO US WITH YOUR ORDER FORM