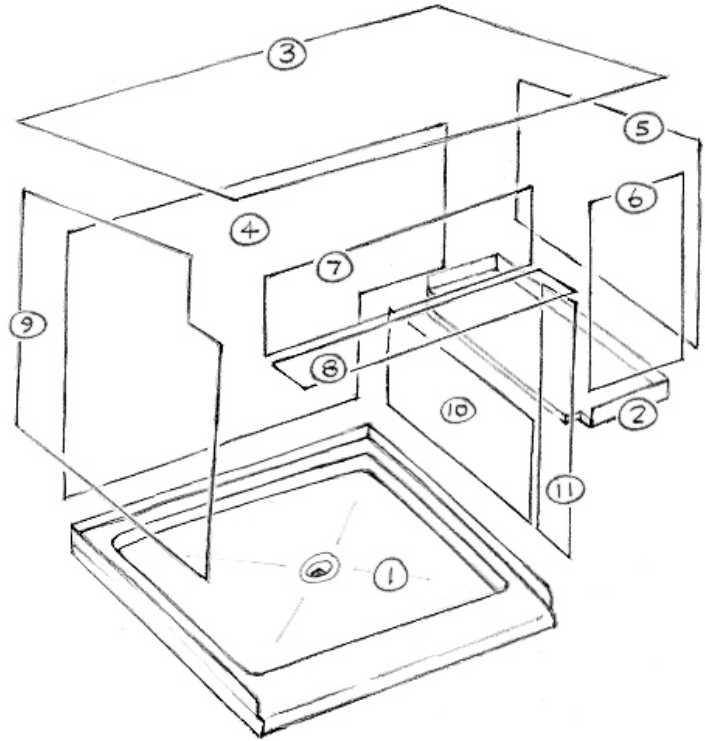




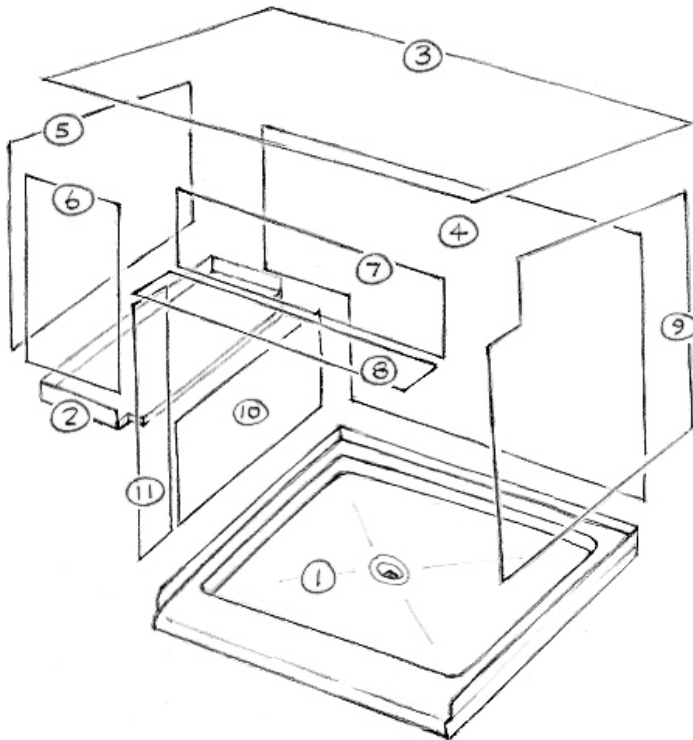
SHOWER DESIGN WORK SHEET

Belvue, KS 66407 * (800) 669-9867 * FAX (800) 393-6699 * www.onyxcollection.com

**Attic Shower
- with Sloped Ceiling -
and Bench Seat on Right Side
Using STANDARD Shower Base**



**Attic Shower
- with Sloped Ceiling -
and Bench Seat on Left Side
Using STANDARD Shower Base**



Copy this page, write your dimensions on the copy, and fax to us for a quote.
Always give stud-to-stud measurements for base, framing height of bench seat support structure, and distance to top of wall panels from the floor. We will figure clearances etc.

Circled numbers indicate assembly order.