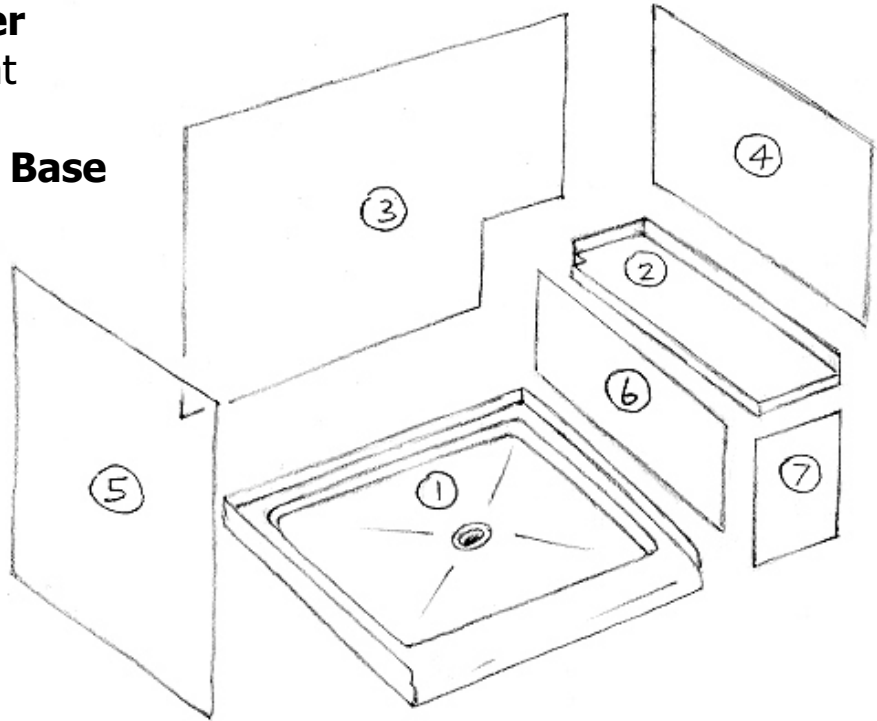




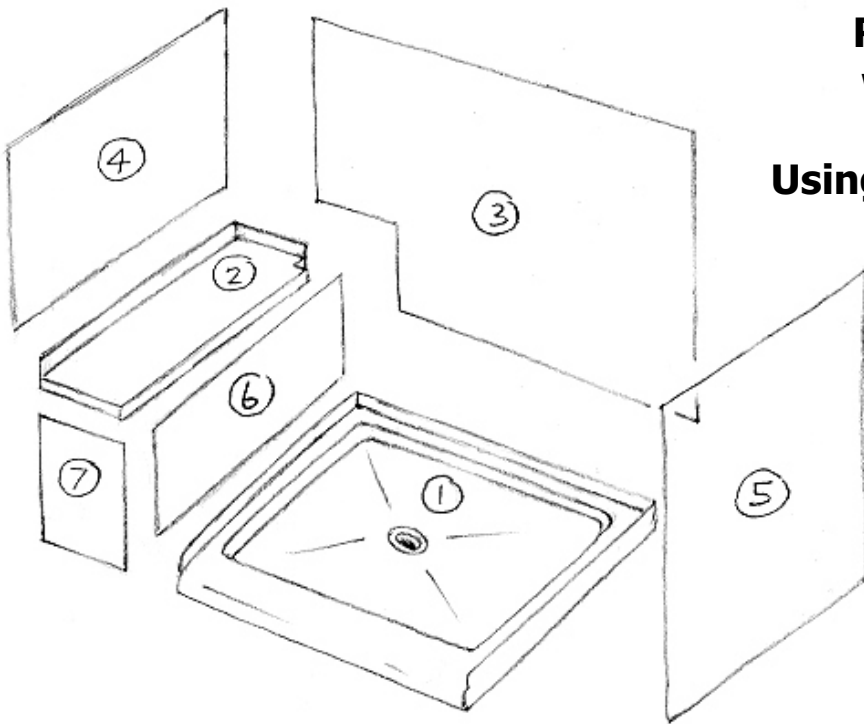
SHOWER DESIGN WORK SHEET

Belvue, KS 66407 * (800) 669-9867 * FAX (800) 393-6699 * www.onyxcollection.com

Rectangular Shower
with Open Bench Seat
on Right Side
Using **STANDARD** Style Base



Rectangular Shower
with Open Bench Seat
on Left Side
Using **STANDARD** Style Base



Copy this page, write your dimensions on the copy, and fax to us for a quote.

Always give stud-to-stud measurements for base, framing height of bench seat support structure, and distance to top of wall panels from the floor. We will figure clearances etc.

Circled numbers indicate assembly order.