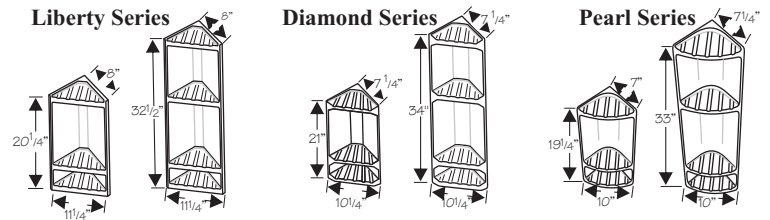


CORNER CADDY INSTALLATION

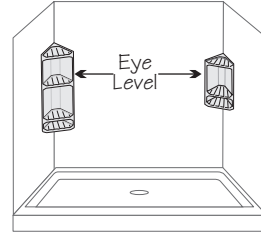


1 Caddy Location

Hold the caddy in the corner and adjust it to a comfortable height. The picture to the right shows the most common locations for the Tall and Regular height caddies.

Mark the shower wall panel at the top of the caddy for reference and remove the caddy.

Recommended Caddy Height

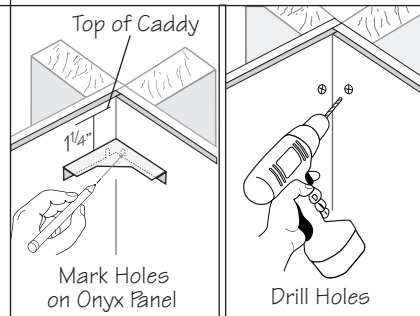


In most cases, the "eye level" reference works best for both usability and appearance.

2 Drilling Holes

Position the plastic corner bracket about 1 1/4" below where the top of the caddy will be. Mark through the holes in the bracket as seen in the picture to the right.

Drill 1/4" Clearance Holes through the Onyx Panels at an angle towards the studs as shown in the picture.

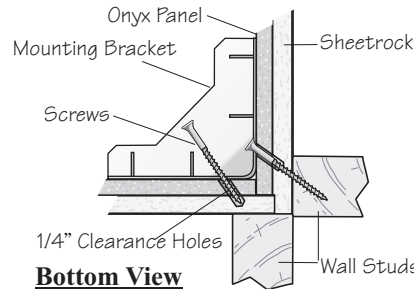


Due to the angle, it may be easier to drill an 1/8" pilot hole first at the correct angle, and then enlarge the hole with a 1/4" drill bit.

Always drill a clearance hole through the Onyx wall panel and never screw directly into the Onyx material.

3 Attaching the Bracket

Attach the bracket to the studs in the walls using the 2 1/2" screws. Tighten just enough so that the bracket is snug in the corner - be careful not to over-tighten.

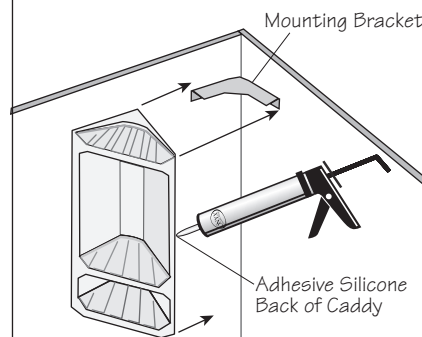


If the screw is not able to hit a stud, anchors can be used.

4 Mounting the caddy

Apply Onyx Adhesive silicone to the back of the shower caddy. A small bead along the edges and two "globs" of silicone per side is sufficient. Apply the adhesive silicone slightly away from the outside edge so that it will not press out when the caddy is installed.

Hang the caddy on the bracket and gently slide it into the corner against the two walls.



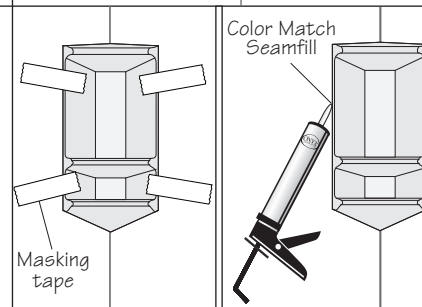
Leave about a 1/8" gap around the edge and the silicone so that it doesn't squeeze out when the shelf is pressed against the wall.

To help clean up any excess silicone, have a bottle of rubbing alcohol and a roll of paper towels available.

5 Securing & Sealing

After the caddy is installed, secure it in place with masking tape until the adhesive silicone starts to cure (usually 15 minutes to an hour).

Remove the tape and apply the Color Matched Seamfill to the edges of the caddy.



To smooth out a seamfill bead with your finger, dampen a paper towel with rubbing alcohol and then dampen your finger. Next, run your finger along the bead of seamfill, wiping any excess silicone onto the paper towel.

The rubbing alcohol will keep the silicone from smearing.

Preventing Trapped / Longstanding Water

If left for long periods of time, wet soap bars, or any shampoo bottles which can trap water under them, can cause water penetration. If this happens, simply move the item to allow that area to "dry out". Move and clean under these type of items routinely.