



THE ONYX COLLECTION

Belvue, KS 66407 * (800) 669-9867 * FAX (800) 393-6699 * www.onyxcollection.com

SURFACE MOUNT SHELF INSTALLATION

Diamond Series Single Shelf

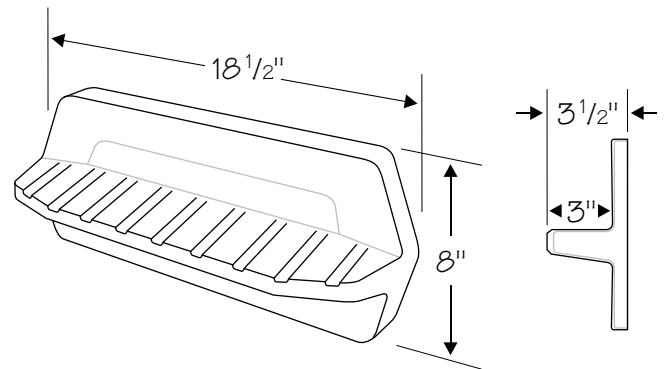
Two holes must be drilled in your wall panel (use an ordinary "high speed" drill bit) for the anchors and screws that will support your Shelf while the Onyx Adhesive Silicone that permanently attaches it to the panel is curing.

Decide the correct height of your shelf so it is convenient for you to set down soap and shampoo bottles.

Mark the hole locations using a Sharpie or grease pencil. The marks should be about 1/2" lower than where you want the top of your shelf to be, and they should be about 14" apart from center to center. It is a good idea to use a level to make sure the shelf does not slant from left to right.

Drill 19/64" holes in the onyx panels at the two marks and press the plastic anchors (provided) all the way into these holes.

Thread the two 3" screws (provided) into the anchors till they are sticking out about 1 3/4".



Set the shelf on the two screws and up against the wall to see if the shelf is level and is staying uniformly against the wall. If necessary you can bend one of the screws up slightly to get the shelf straight.

Apply a bead of Onyx Adhesive (provided) all the way around the back side of the shelf right at the edge of the recessed area (as shown in the picture). Make sure the bead is thicker than the depression so it will squash out wider when the shelf is pushed up against the wall. It is best to leave a small gap at the bottom for air to escape so you don't have compressed air trying to push the shelf back away from the wall while the silicone is curing. Put a few more dabs of adhesive in the recessed area and along the tops of the two screws for added strength.

Set the shelf on the two screws (as shown in the picture) and gently press it up against the wall. Press with uniform pressure to ensure a good seal all around.

Sometimes vibrations from a furnace or air conditioner can cause the shelf to wiggle away from the wall slightly while the silicone is curing, so you may want to use masking tape to make sure the shelf stays in place till the adhesive sets up.

After the Onyx Adhesive sets up (usually about 3 hours) cover the seam where the shelf meets the wall with a thin bead of Color-Match Silicone. If you haven't used a silicone finishing sealer before, or if it has been a while, you may want to nail a couple of pieces of scrap wood together and practice a bit before going to the real thing, so you don't get a shaky start.

