

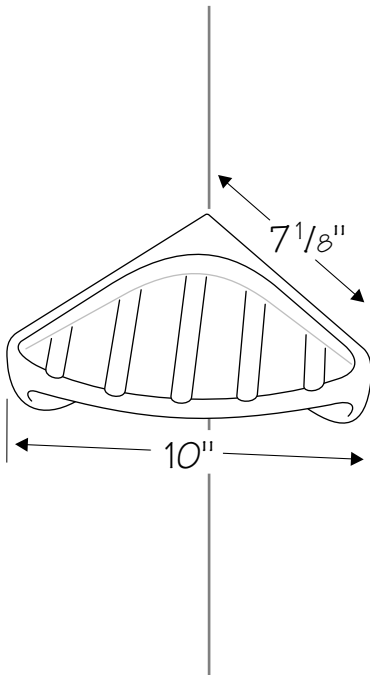


THE ONYX COLLECTION

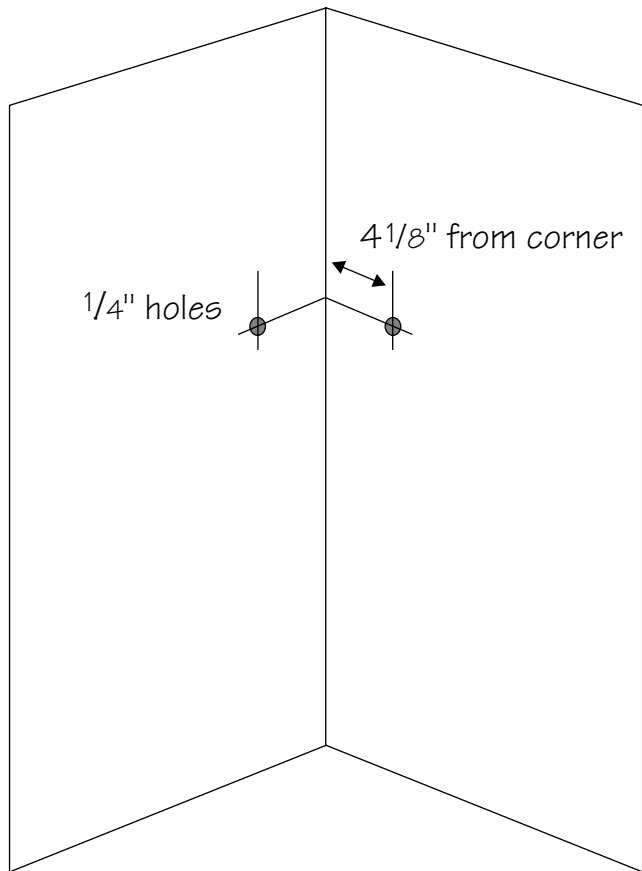
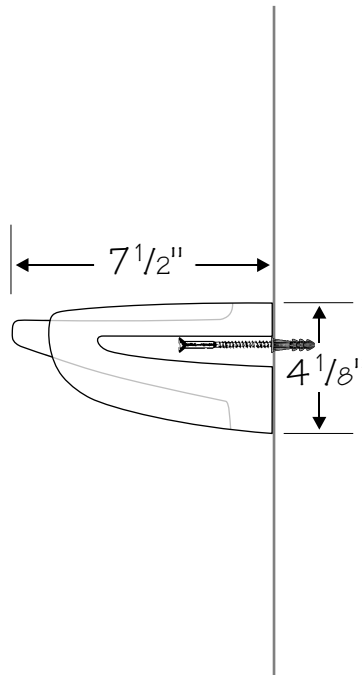
Belvue, KS 66407 * (800) 669-9867 * FAX (800) 393-6699 * www.onyxcollection.com

PEARL CORNER SHELF INSTALLATION

FRONT VIEW



SIDE VIEW



INSTRUCTIONS:

Hold the shelf up in the corner of the shower at the desired height and mark the highest part of the top edge. The water channels should face up if you will be using it as a soap dish, and the smooth side should be up if you will be using it as a foot shelf.

Measure down from your mark 1 1/8" and draw a level line that extends out from the corner in both directions about 5".

Measure out from the corner along each line, and make a mark on each line 4 1/8" from the corner.

Drill 1/4" holes in the onyx panels at the two marks and press the plastic anchors (provided) all the way into these holes.

Thread the two 3" screws into the anchors till they are sticking out about 1".

Set the shelf on the two screws and up against the wall to see if the screws are level and the shelf will hang straight. If necessary you can bend the two screws up or down slightly to make them hold the shelf level.

Apply a bead of Onyx Adhesive (provided) to the back edges of the corner shelf, along all surfaces that will touch a wall. Keep the bead slightly away from the outside edges to minimize clean-up from silicone squishing out the sides. Put a little adhesive along the tops of the two screws as well.

Hang the shelf on the two screws and gently press it into the corner, up against the two walls. Press with uniform pressure just hard enough to ensure a good seal all around. Do not use excess pressure which could push out all the silicone leaving nothing to hold the shelf onto the wall.

Lean a mop or broom up against the front of the shelf or use masking tape to make sure it stays in place till the adhesive sets up.

After the Onyx Adhesive sets up (usually about 3 hours) cover the seam where the shelf meets the wall with a thin bead of Color-Match Silicone.