

UPPER
LEFT

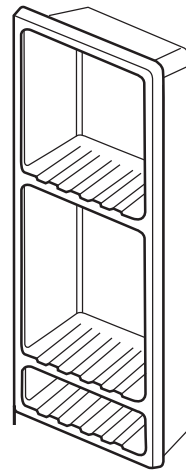
1



Substitute Shampoo Caddy Template

THE ONYX COLLECTION Liberty Tall Shower Caddy

1. Position Template on shower panel so it is between studs
2. Level Template using the level-line printed below
3. Trace shape onto shower panel
4. Protect panel face from tool scratches with tape
5. Cut shape out of panel using a fine blade jigsaw
6. Install caddy in hole with 100% pure adhesive silicone
7. Fill outside seam with colormatch silicone



The templates th
Caddies are pre-cut
traced onto the wall

This substitute temp
emergency replacem
the size and shap

This template is too
you will need to
together according t
the shape and trac

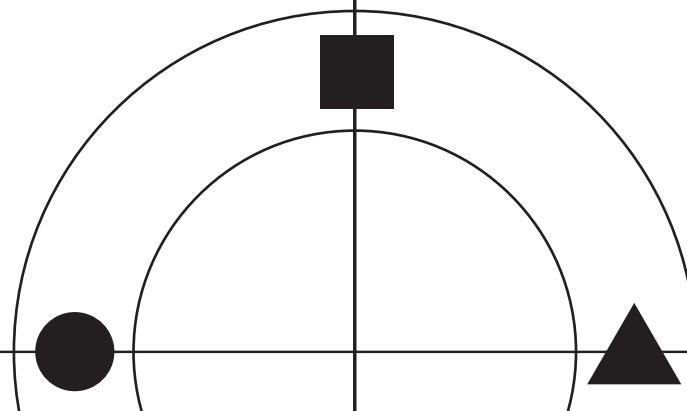
When printing a PD
the "Expand" option
"Center" is turned
Make sure you

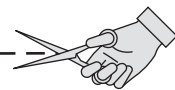
Rulers are shown
your printer made it
the size of the pictu
and cutt

Call 1-800-

This ruler is to ensure your printer made the template the correct size

1
2
3
4
5
6





2

UPPER RIGHT

The templates that come with our Soap and Shampoo Caddies are pre-cut cardboard shapes that are ready to be traced onto the wall to give you a guide for cutting your hole.

This substitute template in PDF format is offered online as an emergency replacement for a lost cardboard one, or to show the size and shape of the hole before the caddy arrives.

This template is too large to be printed on a single page, so you will need to print all the pages, tape or glue them together according to the alignment lines and marks, cut out the shape and trace it onto the wall, or just use it to help plan your installation.

When printing a PDF file, make sure the "Shrink" option and the "Expand" option are turned **off** in the printer dialog, and "Center" is turned on or you may get unexpected results. Make sure you print the whole document so you will have all the parts.

Rulers are shown along the perimeter to help you know if your printer made it the correct size and allow you to modify the size of the pictures if necessary before assembling them and cutting out the shape for tracing.

Call 1-800-669-9867 if you need assistance.



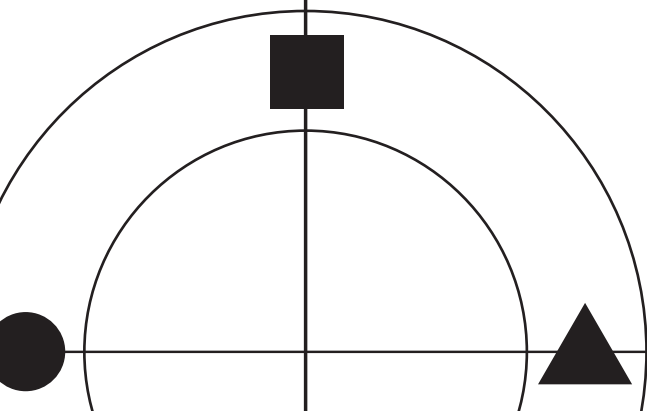
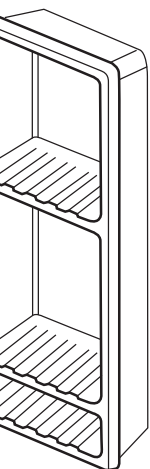
This ruler is to ensure your printer made the template the correct size

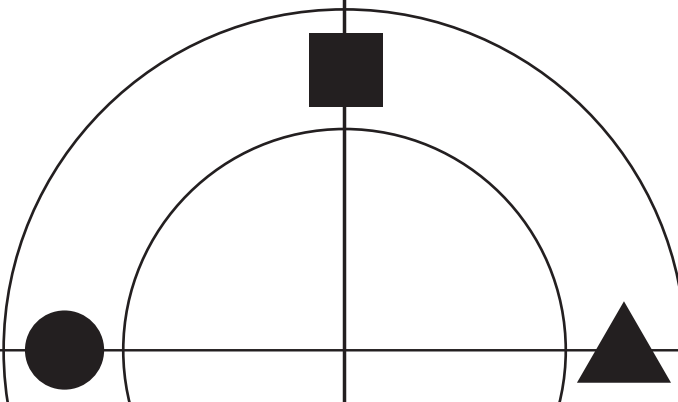
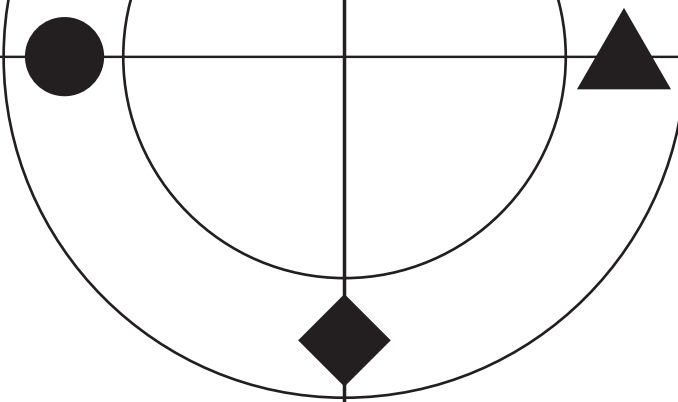
Shampoo Template

ION

between studs
how

be



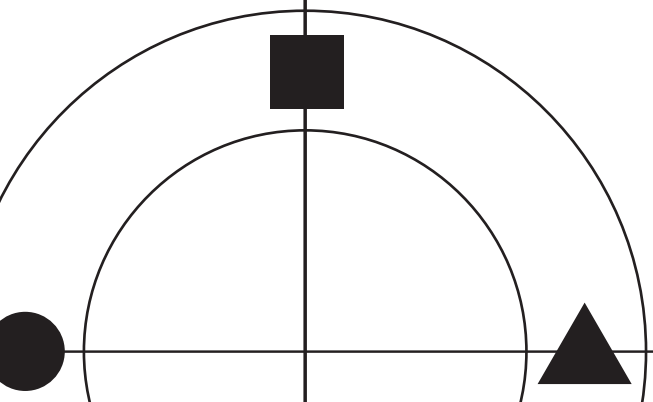
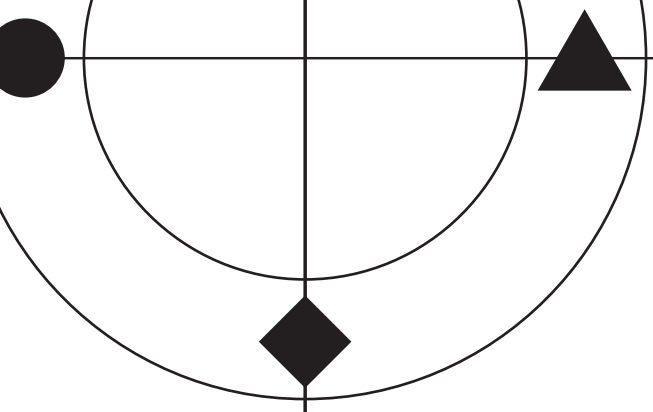


**LOWER
LEFT**

3

This ruler is to ensure your printer made the template the correct size





4

**LOWER
RIGHT**

This ruler is to ensure your printer made the template the correct size



Here is what the
after it has been

UPPER
LEFT 1

LOWER
LEFT 3

LOWER
LEFT 5

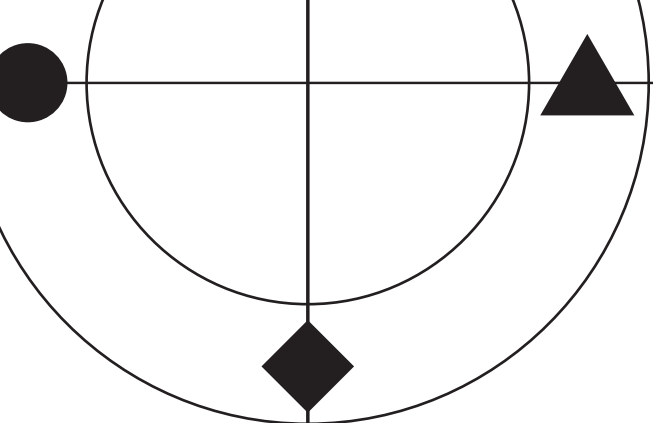
LOWER
LEFT

5

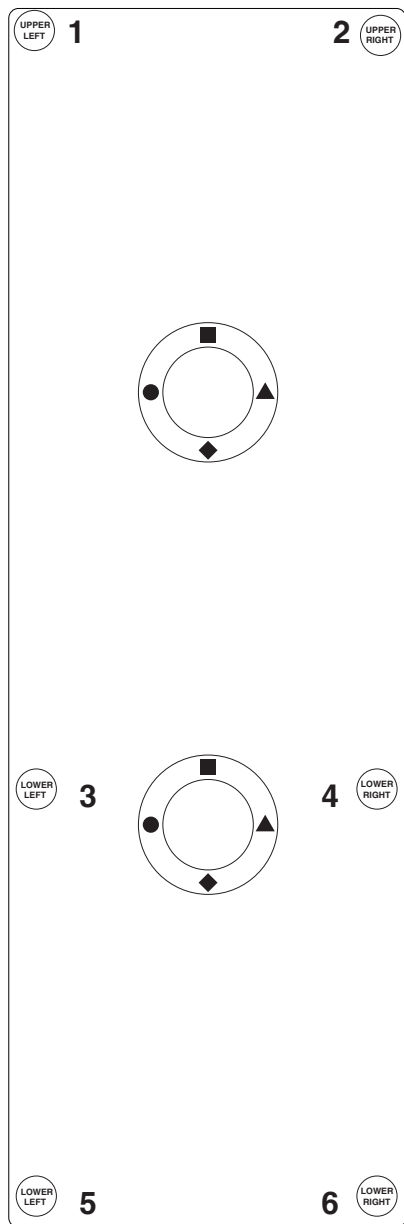
0617

This ruler is to ensure your printer made the template the correct size





Here is what the template should look like after it has been assembled and cut out.



6

LOWER RIGHT

This ruler is to ensure your printer made the template the correct size

