

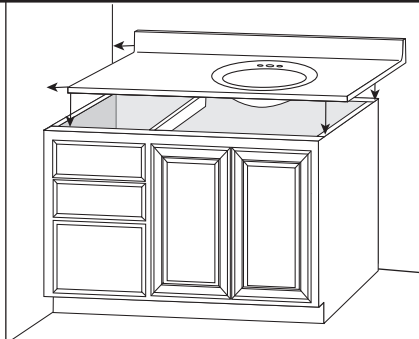
Yes! Guaranteed  
Forever  
Proudly Made in  
-Kansas, USA-

# LAVATORY INSTALLATION

The tips and hints on this page are compiled from years of experience and the recommendations of professionals, to help you do a perfect job of installing your Lavatory and Accessories

## 1 Dry-Fitting & Sizing

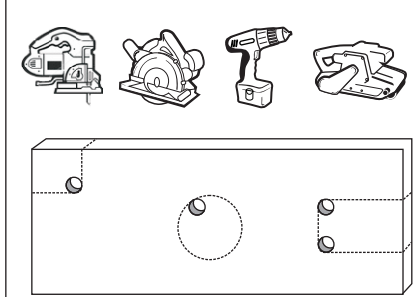
Dry-fit the lavatory and check for proper fit and overhang. If the lavatory touches a wall, there is often a small gap between the lavatory and the wall. This gap can either be filled with a small bead of color match silicone or it can be hidden by a sidesplash. If the lavatory needs to be cut or sanded for better fitting, please see step 2. Supports - There should be a support in the cabinet on either side of the bowl, normally 5" away from the bowl.



When dry-fitting the lavatory, it is easy to hit a wall and cause damage to the drywall or paint. Setting the lavatory on the cabinet and then sliding it towards the wall(s) will help avoid scrapes or dents in your walls. For care, cleaning, and other helpful suggestions, please see the back side of these instructions.

## 2 Sanding, Cutting & Notching

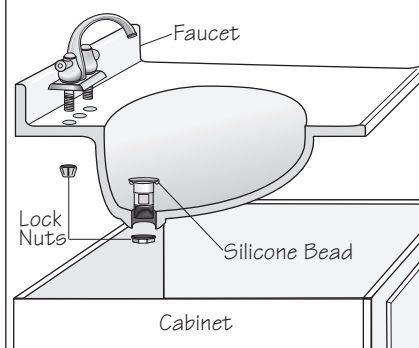
Lavatories can be cut or sanded using wood cutting tools such as circular saws, jig saws, and belt sanders. If you need to notch your lavatory, first drill holes in the corners of the area to be notched, and then cut between the holes. It is important to leave a radius in the corner to avoid the possibility of stress cracks.



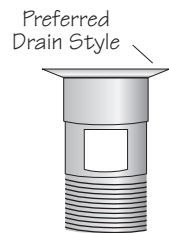
If cutting is necessary, cut from the back side to avoid scratching or chipping the finished side. Leaving a little extra material while cutting allows you to belt-sand to your cut line for a perfect edge. Rounded corners can be made by drilling 1/4" or larger holes at the corners of the openings and then cutting between holes with a jigsaw.

## 3 Faucet & Drain

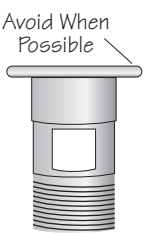
We recommend using a metal or plastic drain that has a thinner flange. The thinner flange will allow water to flow down the drain with out sitting. (see picture to right) Apply a bead of Onyx Silicone around the drain flange and attach the drain to the lavatory. Excess silicone can be easily removed using rubbing alcohol and a paper towel. Use only 100% Silicone for the drain installation. We supply a small tube with each lavatory for this purpose. Avoid using plumbers putty or other construction caulk as these tend to cause leaks and discoloration over time.



Metal or Plastic Drain with Thinner Flange

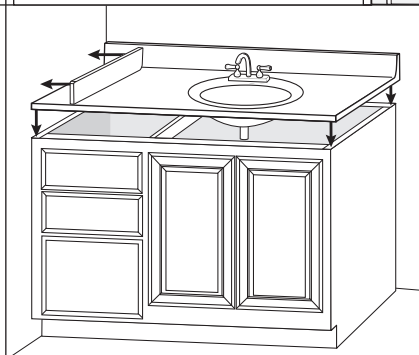


Plastic Drain with Thick Flange



## 4 Setting Lavatory

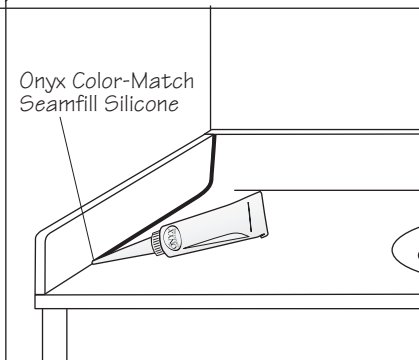
Once the drain and faucet are installed onto the lavatory, put a few spots of silicone along the top edge of the cabinet. Set the lavatory onto the cabinet. The silicone will secure it in place. If installing side splashes or separate back splash, apply a small amount of silicone on the back side of the splash and firmly press against the wall. Avoid applying silicone too close to the edges of the splash in order to keep clean up to a minimum (see next step).



After the lavatory is in place there may be small gaps along the backsplash or wall sides. These gaps can be filled in with a bead of paintable caulk or color match silicone (apply as small a bead as possible). Silicone is not paintable.

## 5 Side Splashes & Sealant

For splashes, apply a small amount of silicone on the backside of the splash and set it in place, pressing it against the wall. Side Splashes arrive pre-fit to your lavatory so no extra shaping should be needed. Separate back Splashes will need to be cut on site. Finish the installation using our Color-Matched 100% Seamfill Silicone for all seams between the lavatory and splashes.



To help clean up any excess silicone, have a bottle of Rubbing Alcohol and a roll of paper towels available. Also, if you use your finger to smooth the silicone bead, dampening your finger with the rubbing alcohol will help make a smooth bead and also reduce smearing.

# LAVATORY CARE INFORMATION

## Preventing Scratches and Chips

Most chips and scratches occur when construction or remodeling is in process. Avoid setting tool boxes on the lavatory. Also, be careful not to drop tools or other construction materials, such as tiles on the lavatory. Do not stand on the lavatory.

When possible, leave the protective plastic film on the lavatory and even place a drop cloth or cardboard on it when there will be major work done in the area.



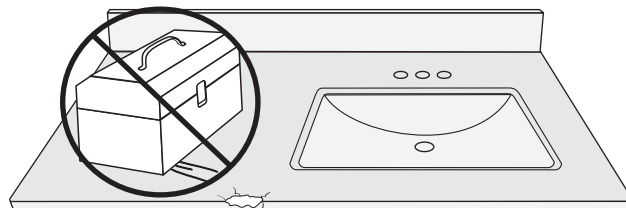
Tiles



Tools

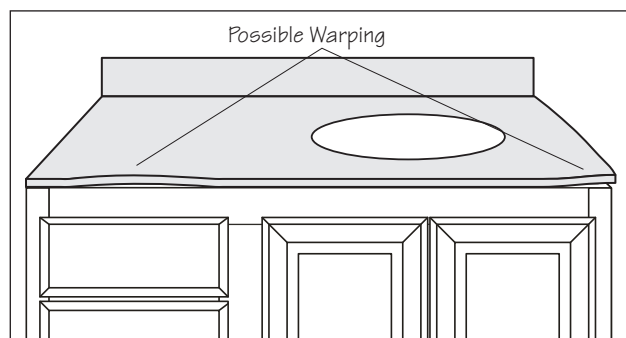


Standing



## What to do if the Lavatory is not straight

The same molecular structure that makes our products resistant to breakage also makes them able to bend over a period of time if not supported properly. Sagging or warping problems generally occur when a lavatory is allowed to sit with no support, or when the cabinet or other structure it is installed on is improperly designed so that long sections of the lavatory (over 10") extend with no support. If the lavatory is not straight, it can be made straight in a few minutes by properly supporting it and applying weight to flatten it. To speed the straightening process, apply heat with a hair dryer or heat gun. Try to get the temperature up to 90 degrees.



## Preventing Heat Damage

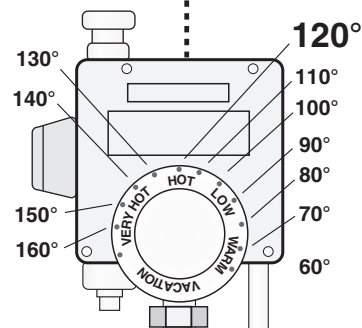
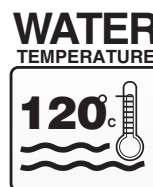
Water heater temperatures should always be set to the recommended "safe temperature" to avoid burns (and save money on utility bills).

Cracked bowls are rare, but extreme water temperature can cause cracking in the bowls over time due to expansion "shock".

Check your water temperature and make sure it is not higher than 120°F.

### Water Heater Settings

DANGER RANGE | SAFE RANGE



## Lavatory Finishes and Cleaning

### GLOSS Finish:

The Glossy surface is a tough clear layer of stain-resistant resin, that is polished using high-speed buffers.

### MATTE Finish:

The surface of your lavatory is lightly abraded to achieve a uniform matte finish and then sealed with our Matte Surface Sealer.

**Cleaning:** For regular cleaning, use a cloth or sponge with your favorite non-abrasive household cleaner. Avoid using abrasive household cleaners - if a cleaning product feels "gritty", please do not use it. We recommend Eliminate® to remove minerals and scum, and Repel® to clean and create a barrier that prevents minerals from building up. Eliminate® and Repel® can be purchased through your local Onyx dealers. These products will continually make cleaning easier because of the protective polish they leave on the Onyx.

