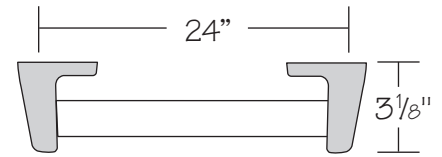
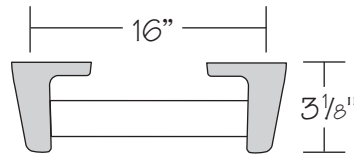
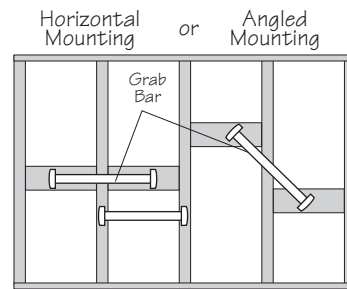


# GRAB BARS & TOWEL BARS



## 1 Wall Preparation

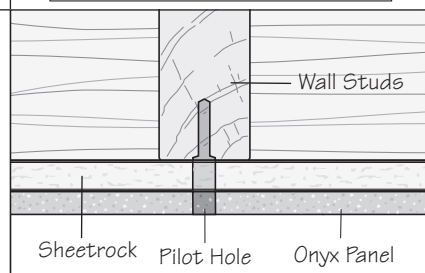
Wood backing is needed to support the grab bar. Install the backing as seen in the picture to the right. We recommend using a 2" x 10". Mount the backing so that its center is where you want the grab bar to attach to the wall. For angled installation, it may be necessary to stagger the wood backing as shown in the picture to the right.



For 16" Grab Bars and Towel Bars, you can mount them directly to the studs as shown to the left.

## 2 Drilling Holes

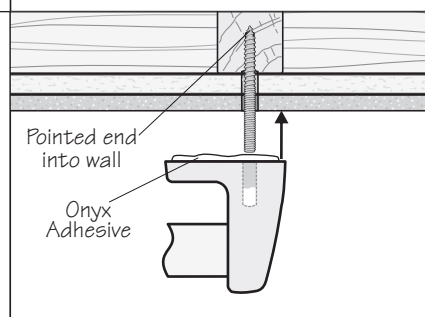
Locate wall studs. Drill 3/16" bolt pilot holes into wall studs about 1 3/4" deep. DO NOT use anchors. Bolts MUST be screwed into studs or solid wood blocking only. Widen holes to 5/16" only through the panel and sheetrock.



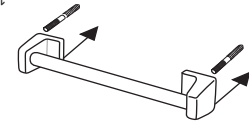
Screw the pointed end into the wall studs or wood backing so that 1" of the bolt remains protruding out from the wall. A good way to do this is to put the bolt in the end of a screw gun, this will help prevent damaging the threads.

## 3 Attaching the Grab Bar

Fill the lower HALF of the bolt hole with Onyx Adhesive, and apply a thin uniform coating of Adhesive to the back side of each end bracket. Slide the towel bar assembly onto the bolts and press it against the wall firmly.

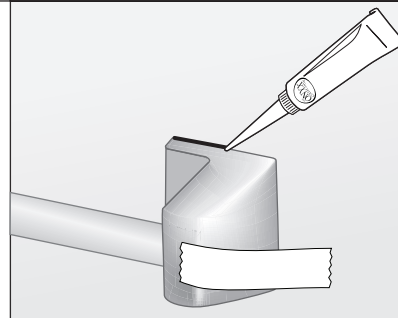


Leaving about 1/8" clean along the edge of the brackets. Do not push so hard that the Adhesive squeezes out from behind the brackets.



## 4 Securing & Sealing

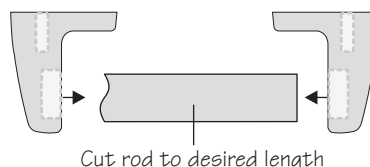
After the grab bar is in place, it may be necessary to secure with masking tape until the adhesive silicone starts to cure (usually 15 minutes to an hour). Remove the tape and apply the Color Matched Seamfill to the edges of the brackets.



To smooth out a seamfill bead with your finger, dampen a paper towel with rubbing alcohol and then dampen your finger. Next, run your finger along the bead of seamfill, wiping any excess silicone onto the paper towel. The rubbing alcohol will keep the silicone from smearing.

## Unassembled Towel Bars

If the towel bar was ordered unassembled for on-site sizing, cut the rod the same length as the bolt hole spacing. Then insert the rod into the end brackets. Install as recommended above



Cut rod to desired length