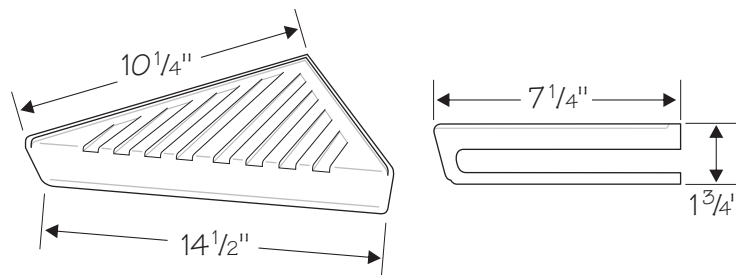


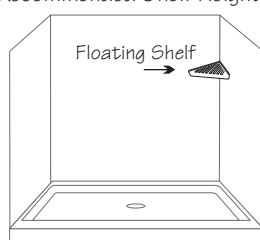
FLOATING SHELF INSTALLATION



1 Shelf Location

Hold the shelf up in the corner of the shower at the desired height and mark the corner of the shower wall, just above the corner shelf.
The water channels should face up if you will be using it as a soap dish, and the smooth side should be up if using it as a foot shelf.

Recommended Shelf Height

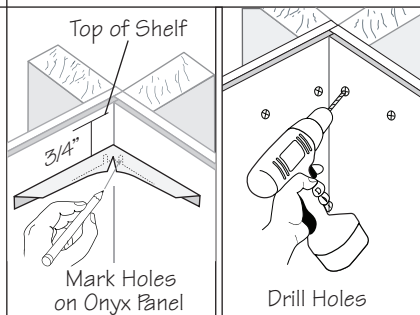


In most cases, corner shelves work best when installed between 42" off of the base and "eye level".
When installing as a Foot Shelf, a comfortable height is about 9" to 12" off the shower base.

2 Drilling Holes

Floating Shelf:

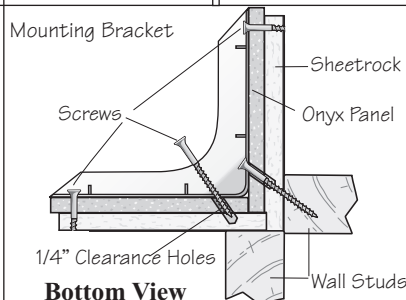
Measure down 3/4" from the mark in the corner and draw a line. Then hold the mounting bracket to that line and mark holes to be drilled.
Drill 1/8" pilot holes into the walls at an angle to reach the corner studs as shown to the right. Then enlarge the hole in the Onyx wall panel to 1/4"



Always drill a clearance hole through the Onyx wall panel and never screw directly into the Onyx material.

3 Attaching the Bracket

Attach the bracket to the studs in the walls using the 2 1/2" screws. Tighten just enough so that the bracket is snug in the corner - be careful not to over-tighten.

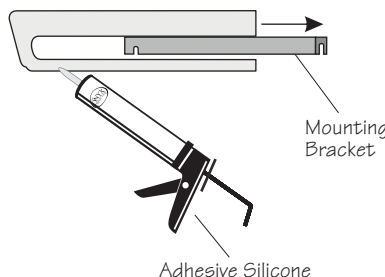


If the screw is not able to hit a stud, anchors can be used.

4 Mounting the Shelf

Apply Onyx Adhesive silicone to the back of the shelf. A small bead along the edges and two "globs" of silicone per side is sufficient. Apply the adhesive silicone slightly away from the outside edge so that it will not press out when the shelf is installed.

Hang the shelf on the bracket and gently slide it into the corner against the two walls.

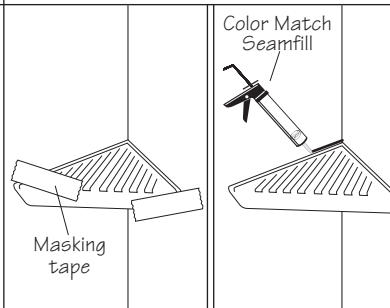


When using as a foot rest, the bracket will support about an inch of the rest. This will be enough to support the rest until the adhesive cures.
Leave about a 1/8" gap around the edge and the silicone so that it doesn't squeeze out when the shelf is pressed against the wall.

5 Securing & Sealing

After the shelf is installed, secure it in place with masking tape until the adhesive silicone starts to cure (usually 15 minutes to an hour).

Remove the tape and apply the Color Matched Seamfill to the edges of the shelf.



To smooth out a seamfill bead with your finger, dampen a paper towel with rubbing alcohol and then dampen your finger. Next, run your finger along the bead of seamfill, wiping any excess silicone onto the paper towel.
The rubbing alcohol will keep the silicone from smearing.