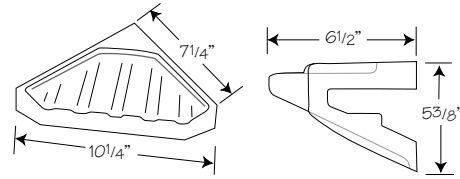


# CORNER SHELF INSTALLATION

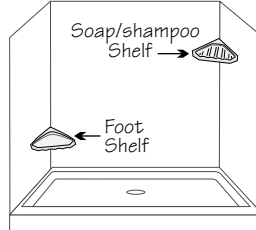
## Diamond Series



### 1 Shelf Location

Hold the shelf up in the corner of the shower at the desired height and mark the corner of the shower wall, just above the corner shelf. The water channels should face up if you will be using it as a soap dish, and the smooth side should be up if you will be using it as a foot shelf.

Recommended Caddy Height



In most cases, corner shelves work best when installed between 42" off of the base and "eye level". When installing as a Foot Shelf, a comfortable height is about 9" to 12" off the shower base.

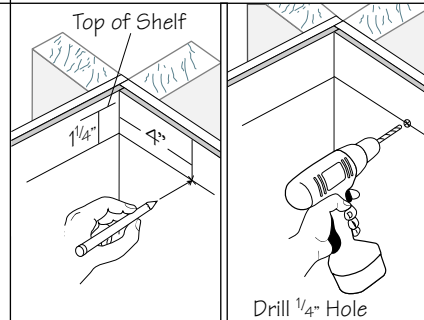
### 2 Drilling Holes

#### Soap/Shampoo Shelf:

Measure down 1" from the mark in the corner and draw a level line that extends out 5" in both directions. Mark these level lines at 4" from the corner and drill 1/4" holes for the anchors at the 4" mark.

#### Foot Shelf:

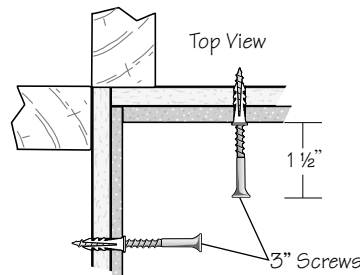
Draw a level line 3" below the mark in the corner and drill holes as described above.



Drilling an 1/8" pilot hole at first and then enlarging it to 1/4" may be helpful for accurate drilling. Always drill a clearance hole through the Onyx Wall Panels and never screw directly into the Onyx material.

### 3 Attaching the Screws

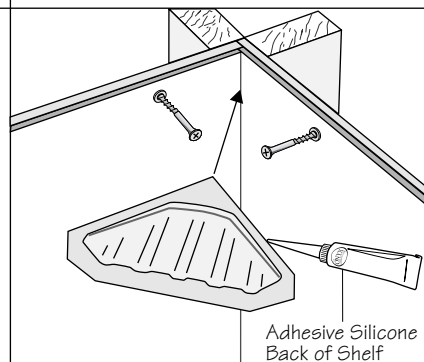
Insert the plastic anchors into the 1/4" holes and thread the two 3" screws into the anchors until about 1 1/2" of the screw is visible. The screws will be used to support the shelf until the Adhesive Silicone cures.



Dry fit the shelf to check for level. For small adjustments, bend the screws to achieve proper fit.

### 4 Mounting the Shelf

Dry-fit the shelf. If necessary, bend the screws slightly to make them hold the shelf level. Apply a large bead of Onyx Adhesive (provided) to the back sides of the corner shelf and gently press against the wall.

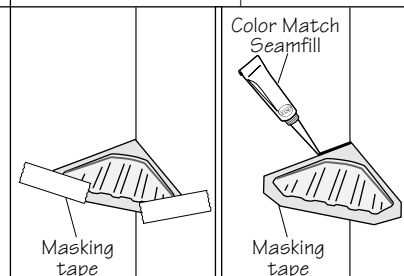


Keep the bead slightly away from the outside edges to minimize clean-up from silicone pushing out of the sides. To help clean up any excess silicone, have a bottle of rubbing alcohol and a roll of paper towels available.

### 5 Securing & Sealing

After the shelf is in place, it may be necessary to secure with masking tape until the adhesive silicone starts to cure (usually 15 minutes to an hour).

Remove the tape and apply the Color Matched Seamfill to the edges of the caddy.



To smooth out a seamfill bead with your finger, dampen a paper towel with rubbing alcohol and then dampen your finger. Next, run your finger along the bead of seamfill, wiping any excess silicone onto the paper towel. The rubbing alcohol will keep the silicone from smearing.