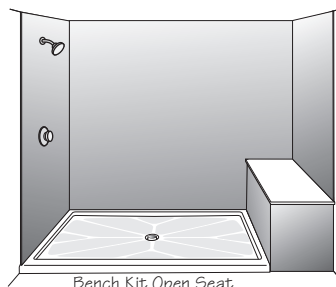
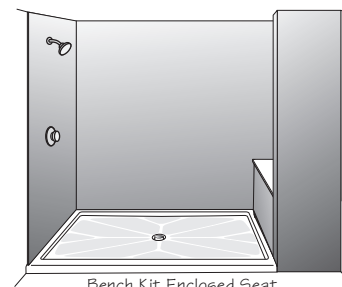


BENCH KIT INSTALLATION



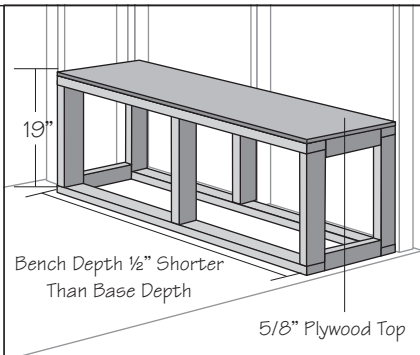
Bench Kit Open Seat



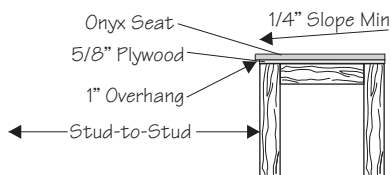
Bench Kit Enclosed Seat

1 Framing the Bench

Build the framing for the bench. When the framing is complete, the base should be able to fit into the area and have about 1/8" gap on both sides. For the open bench seat, the framing depth should be 1/2" shorter than the actual depth of the base to allow for wall board and Onyx Panel. Total framing height should be about 19".

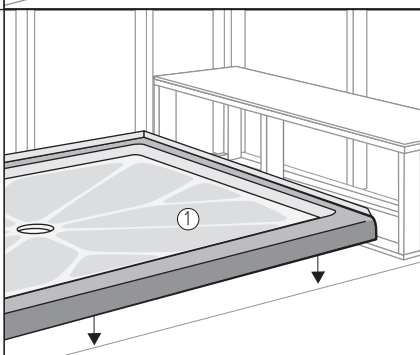


It is a good idea to make the back of the bench seat frame about 1/4" higher than the front so water will drain off the seat. Be sure the framing is strong and solid.

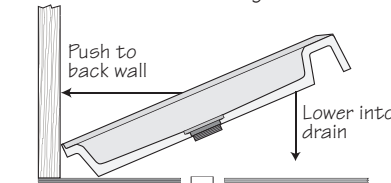


2 Setting the Base

Install the base first, making sure to leave an 1/8" gap between the base and the studs. Finish installation following the instructions that come with the base.



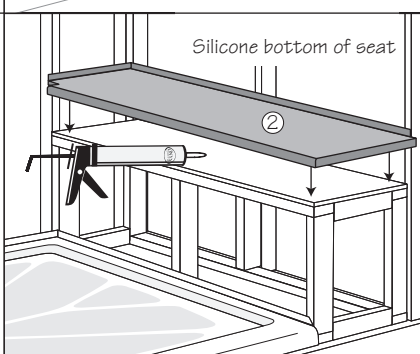
The base should extend 1/2" past the of the bench seat framing.



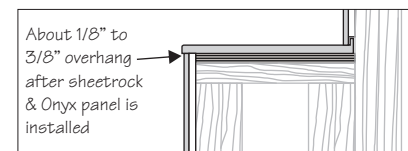
*Helpful Tip. After setting, cover the base with a drop cloth or cardboard to help prevent scratching.

3 Setting Bench Seat

Apply silicone on the plywood top of the bench framing. Install the seat and press firmly into place. Be sure to maintain a 1/8" gap between the seat and studs. The seat should overhang the seat framing on the front and open side about 1" to 1 1/4". *Note: After wall board & skirt panel are installed, the finished overhang should be 1/8" to 3/8".*

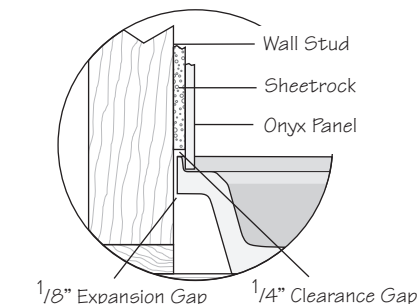
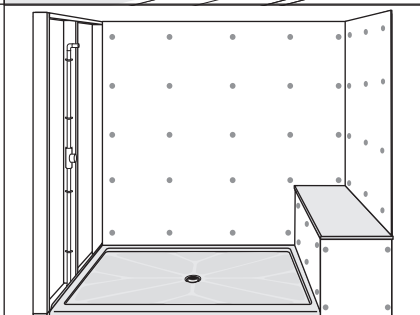


The bench seat should over hang the framing on the front and open side by 1" to 1 1/4" to accommodate the wall board and Onyx Panels.



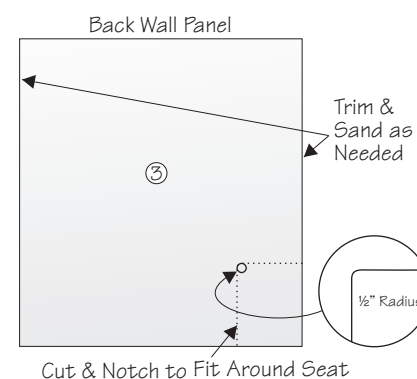
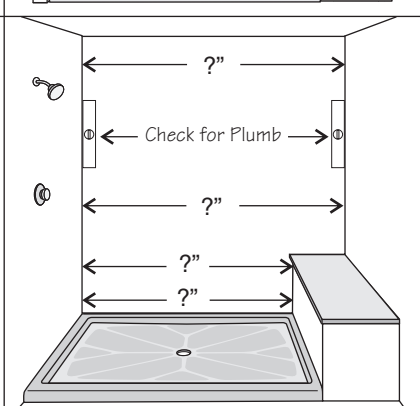
4 Install Drywall

Install sheetrock or wall board around the shower, leaving a small gap (about 1/4") above the top of the base and seat flanges. The image to the far right shows the spacing necessary.



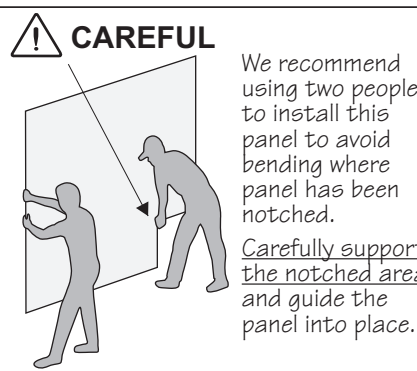
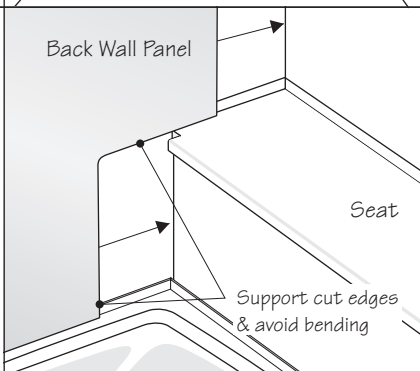
5 Size & Cut Back Panel

To install the back panel (3) you will need to measure across the back wall from side to side and check for plumb. Some trimming or sanding will be necessary for an accurate fit (see wall panel instructions). Measure & mark lines where panel will be cut for seat, and drill about a 1" hole at corner as shown to right. Then cut along lines to the hole and the radius from the hole will help prevent panel from cracking during install.



6 Install Back Panel

Very important - please use two people during this step! When dry-fitting and installing the notched back panel, please use caution to avoid bending the panels in the notched area. The back wall panel should fit into the notch on the side of the seat and be to the inside of the flange on the seat and shower base. With a heat gun, heat the back side of the panel about 3' around the notched corner to help with flexibility & prevent breaking.



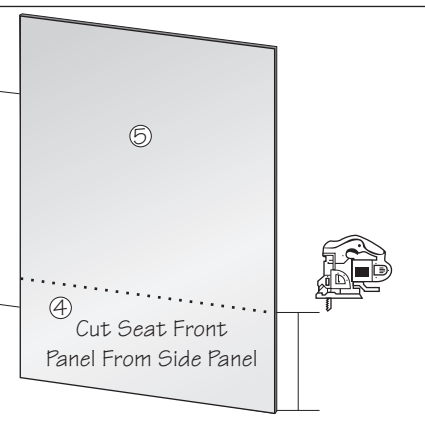
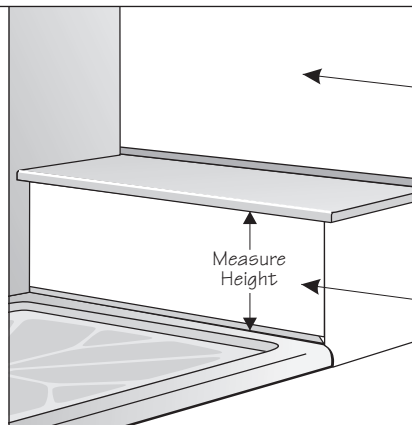
7 Cutting Wall Panels On Seat Wall

Measure from the base up to the seat. Cut this size piece out of the large side panel on the bench seat side. Remember to check for finished edges as these should face out.

We recommend cutting the smaller panel first and then trimming the upper panel.

If an Onyx ceiling panel will be used, check both side and ceiling panels for proper alignment and fit.

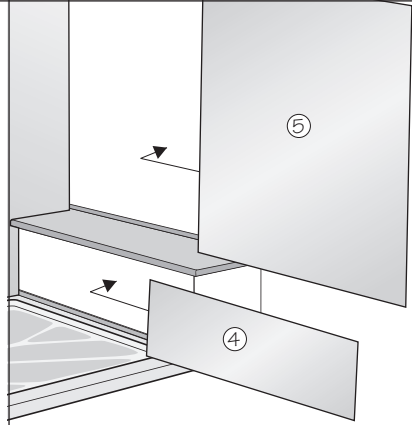
Note - If building Enclosed Bench Seat, see step 12



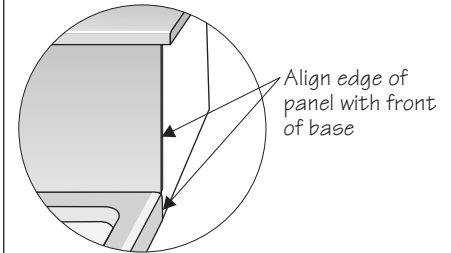
8 Installing Wall Panels On Seat Wall

Install seat face panel (4). The seat should overhang this panel about 1/4". This panel (4) should come to the end of the shower base (flush with the face of the shower base curb).

Install the upper wall panel.



Seat front panel should come to the end of the base & will be capped by side panel

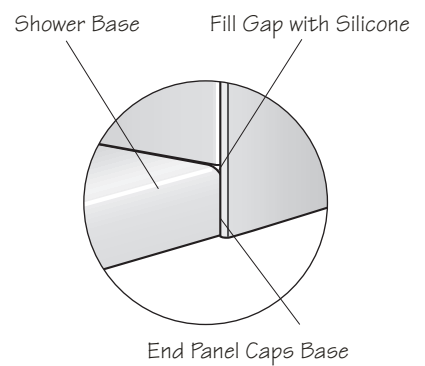
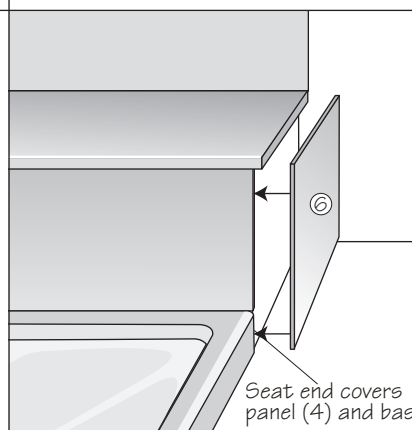


9 Seat End Cap Panel

The seat end cap panel (6) will install under the seat overhang and should extend to cover the edge of the shower base and the lower bench seat panel. Remember to locate the finished edges before cutting to size.

After installed, the seat should overhang the end panel about 1/8" to 1/4".

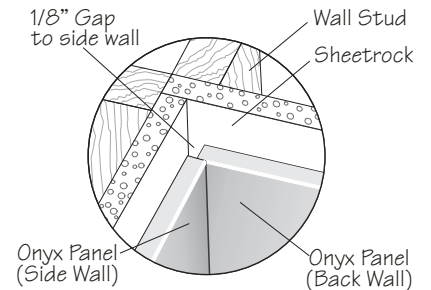
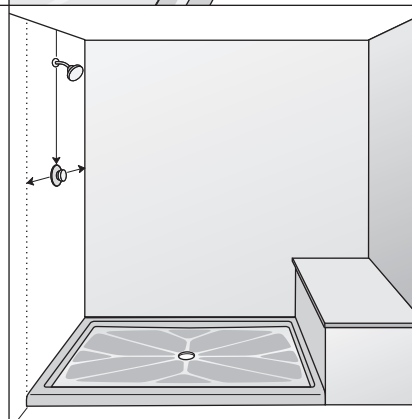
If an Onyx ceiling panel will be used, check both side and ceiling panels for proper alignment and fit before installing.



10 Install Side Panel

Measure and cut holes for the shower valve and shower head.

Dry-fit and install as seen in the wall panel instructions.

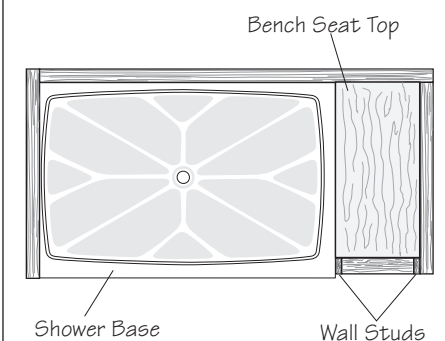
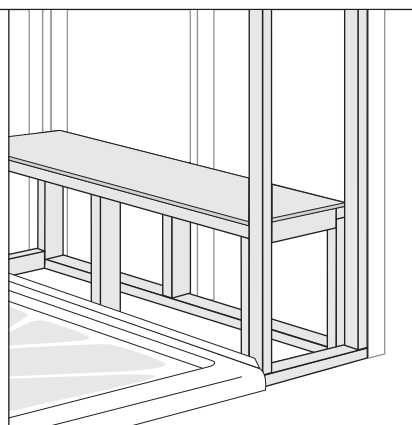


- Special Instructions For Enclosed Bench Seat -

11 Framing for Enclosed Shower Seat

To enclose the bench seat, first frame the exterior wall so that it will be 1/2" shorter than the depth of the base to accommodate sheetrock or wall board.

Then frame the bench seat support as described in step 1.



12 Enclosed Shower Seat Kit

For enclosed shower seats install inside wall panel after seat and side panel have been installed. This panel should also cover the seat flange and have the finished edge facing out.

Install the wall end cap panel.

