



# INSTALLATION INSTRUCTIONS

202 Anderson Ave., Belvue, KS 66407  
Phone: 800-669-9867 Fax: 800-393-6699  
[www.onyxcollection.com](http://www.onyxcollection.com)

 **ALUMAX**  
BATH ENCLOSURES  
by Sapa  
800-643-1514  
[www.alumaxbath.com](http://www.alumaxbath.com)



## Heavy Glass Shower Door Enclosure



**Yes! Guaranteed Forever!**

Proudly Made in Kansas, USA

202 Anderson Ave. Belvue, KS 66407

Our phones are answered by knowledgeable people from  
7:00 a.m.- 5 p.m. Central Time, Monday - Friday.

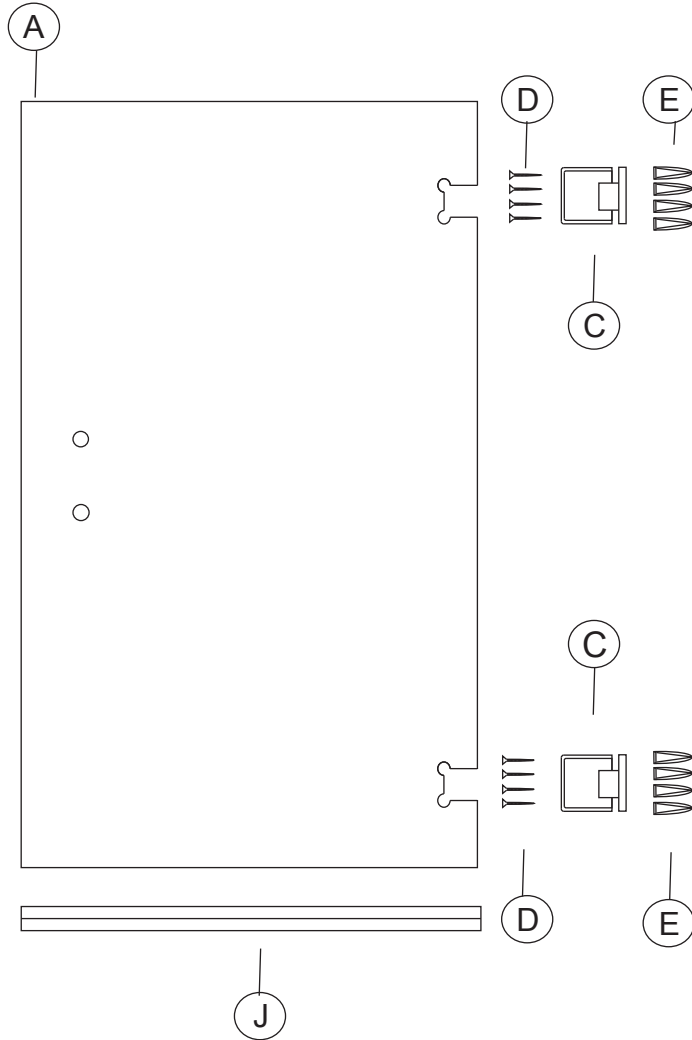
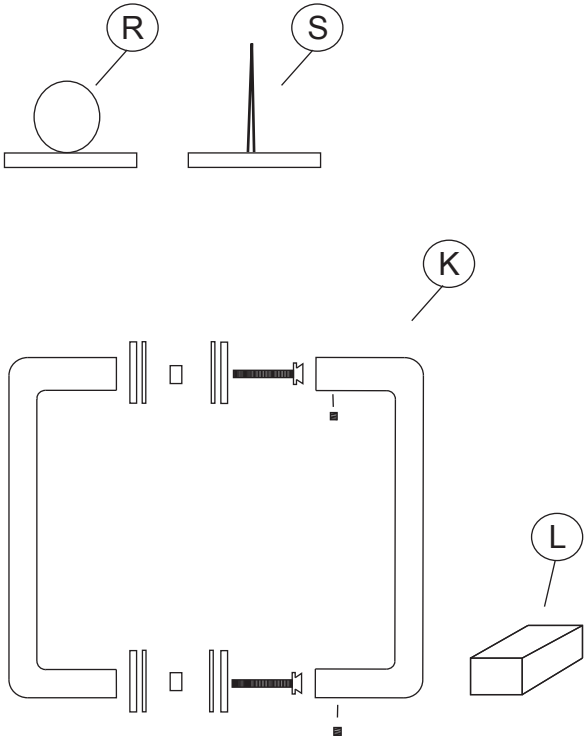
After hours you can leave a voice mail message and we will be glad to return your call  
(We do not have showrooms at our factory or office.)

**1-800-669-9867**  
**1-800-ONYXTOP**

[www.onyxcollection.com](http://www.onyxcollection.com)

# Parts List

- A) Door Panel
- B) Side Panel
- C) 2 Hinges
- D) 8 Polished Pan Head Screws
- E) 8 1/4" Anchors (Grey)
- F) Glazing Channel w/ double stick tape
- G) Glazing Channel w/ 3 holes
- H) 4 2" Pan Head Screws
- I) 4 1/4" Anchors (Blue)
- J) Door Sweep
- K) 8"x8" Handle
- L) 2 1/2" Black Spacers
- M) 2 1/4" Clear Setting Blocks
- N) 2 1/8" Clear Setting Blocks
- P) 2 1/16" Setting Blocks
- R) 2 1/4" Vinyls
- S) 2 1/4" up to 1/2" Vinyls



# INSTALL INSTRUCTIONS

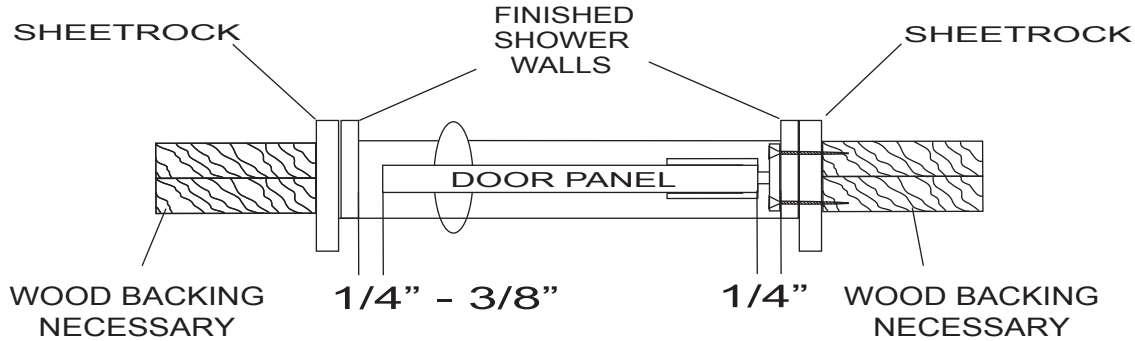
1

## HOW TO SIZE GLASS

The glass is sized to fit the finished opening by using this formula

**Finished W all Dimension - 1/2" = Door Glass**

To securely install this door there must be wood backing inside the walls

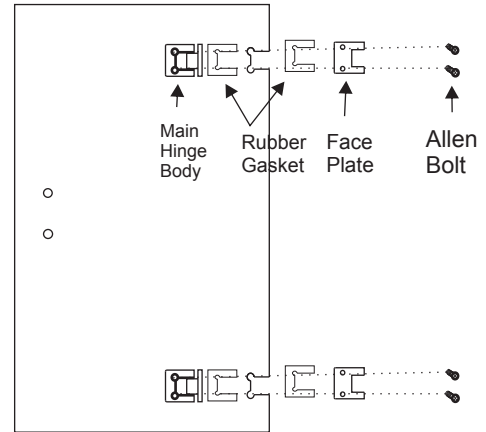


2

## HINGE INSTALLATION

- Remove faceplate from hinge ( C )
- Remove one rubber gasket
- Place main hinge body into the notch in the door panel ( A )
- Place rubber vinyl on the glass so it lines up with the notch
- Line faceplate up with main hinge body
- Tighten allen bolt down so that the hinges stay into place

INSTALL TIP: DO NOT OVER TIGHTEN, DOOR WILL NEED TO BE ADJUSTED LATER



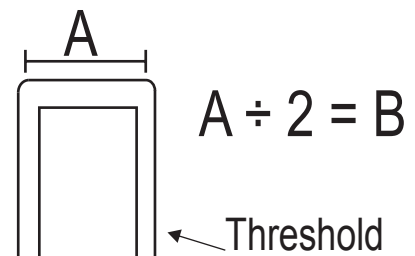
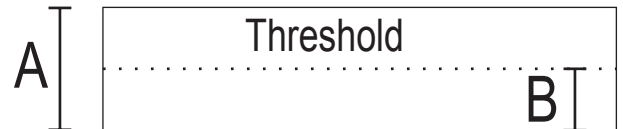
3

## FINDING CENTERLINE OF THRESHOLD

The door will need to be placed so it rests on center of the threshold.

To find the center you will need to measure the width of the threshold ( A ) divide that by 2 = Centerline ( B )

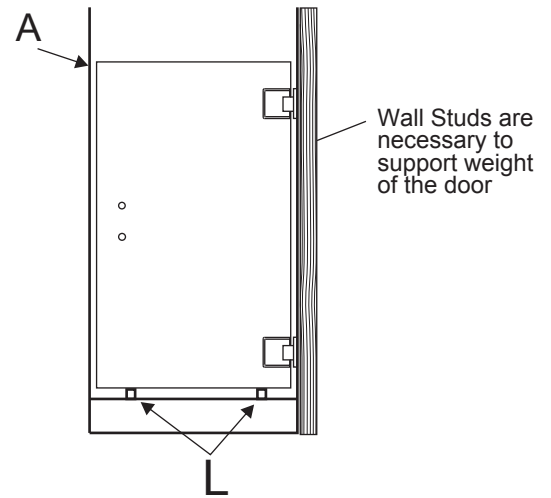
INSTALL TIP: IT HELPS WITH THE INSTALLATION TO MARK THE CENTERLINE WITH A PENCIL



# 4

## LINING DOOR PANEL UP WITH CENTERLINE

- Place 1/2" black spacers ( L ) where the door will rest
- Line door panel ( A ) up with centerline then place door on to spacer

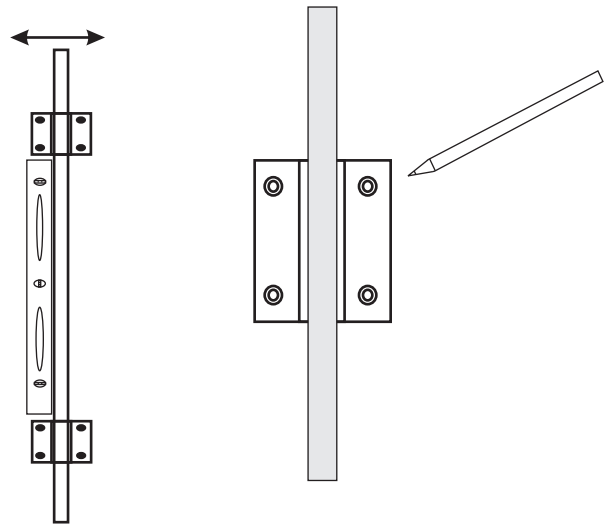


# 5

## MARKING HINGE PLACEMENT

- Place your 4' level on the face of the glass
- Adjust glass till it is level
- Mark holes with a pencil
- Remove door panel ( A ) and set aside for now

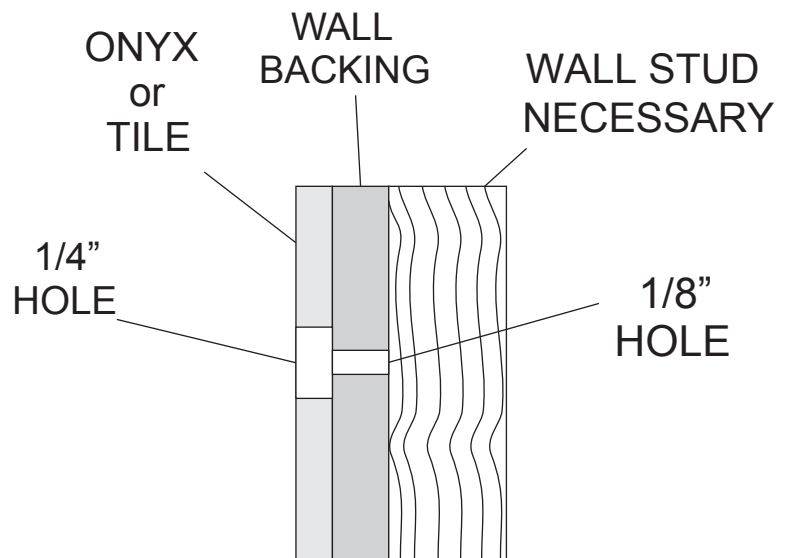
INSTALL TIP: IT IS RECOMMENDED TO USE TWO PEOPLE ON THIS STEP



# 6

## PRE-DRILLING FOR HINGES

- Pre-drill holes through the finished wall using a 1/4" drill bit
- Pre-drill through wall backing and into the stud using 1/8" drill bit
- Clean debris from threshold

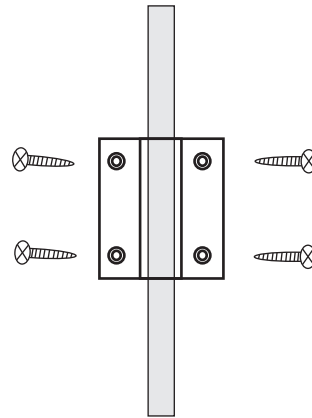


# 7

## ATTACHING HINGES TO WALL

- Replace door panel onto 1/2" black spacers
- Line hinges up with holes and screw into place using a #2 phillips screw driver ( POWER DRILLS CAN RUIN THE FINISH OF THE HINGES )

INSTALL TIP: IT IS RECOMMENDED TO USE TWO PEOPLE ON THIS STEP

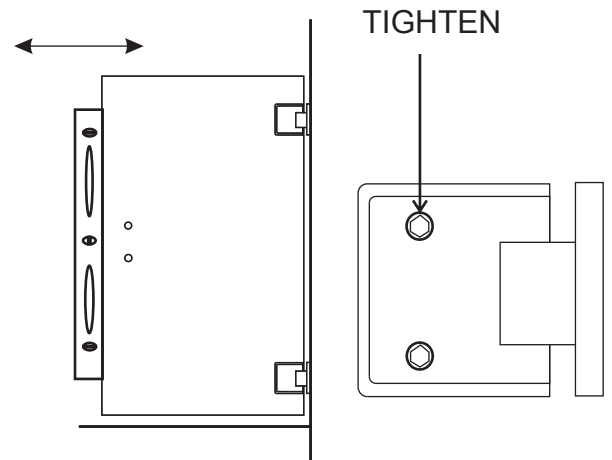


# 8

## LEVELING DOOR

- Place your 4' level on the edge of the glass and adjust door so it is level
- Once door is leveled tight allen bolt on the hinges all the way

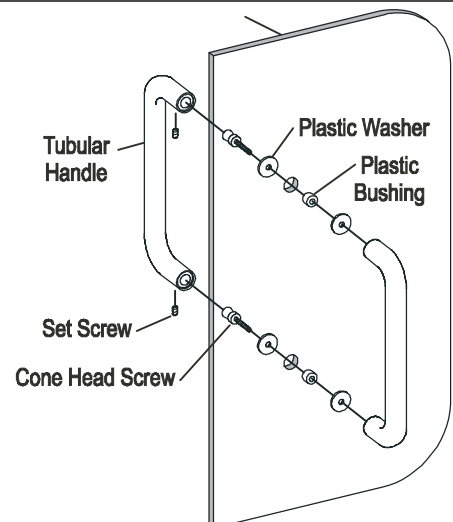
INSTALL TIP: IT IS RECOMMENDED TO USE TWO PEOPLE ON THIS STEP



# 9

## INSTALLING HANDLE

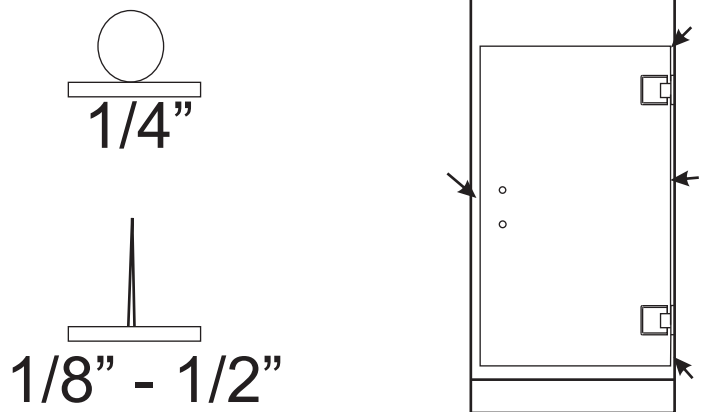
- Loosen set screws using a small allen wrench ( BE CAREFUL NOT TO UNSCREW ALL THE WAY!), then remove handle and unscrew cone head screws
- Place one plastic washer and one plastic bushing onto the cone head screw, slide screw through the top hole in the glass door, next place one plastic washer onto the screw then attach handle ( do not tighten all the way )
- Repeat above step for bottom hole then tighten all the way
- Slide handle over cone head screw then tighten set screws using the allen wrench



# 10

## INSTALLING GAP VINYL

- Measure the gap between the door panel and the side panel
- Use the vinyl type needed to fill the space between the two pieces of glass then apply the 1/4" VHB double stick tape to the hard side of the vinyl
- Cut the vinyl to length then pull tape press on to the edge of the door panel
- Repeat steps for the hinge side of door panel



# 11

## INSTALLING DOOR SWEEP

- Measure door panel width
- Cut door sweep ( J ) to door panel width
- Slide door sweep onto bottom of door panel so the hard deflector leg is to the interior of the door

