



INSTALLATION INSTRUCTIONS

202 Anderson Ave., Belvue, KS 66407
Phone: 800-669-9867 Fax: 800-393-6699
www.onyxcollection.com

 **ALUMAX**
BATH ENCLOSURES
by Sapa
800-643-1514
www.alumaxbath.com



792 SERIES

Stickstall™

Corner Shower

Enclosure



Yes! Guaranteed Forever!

Proudly Made in Kansas, USA
202 Anderson Ave. Belvue, KS 66407

Our phones are answered by knowledgeable people from
7:00 a.m.- 5 p.m. Central Time, Monday - Friday.

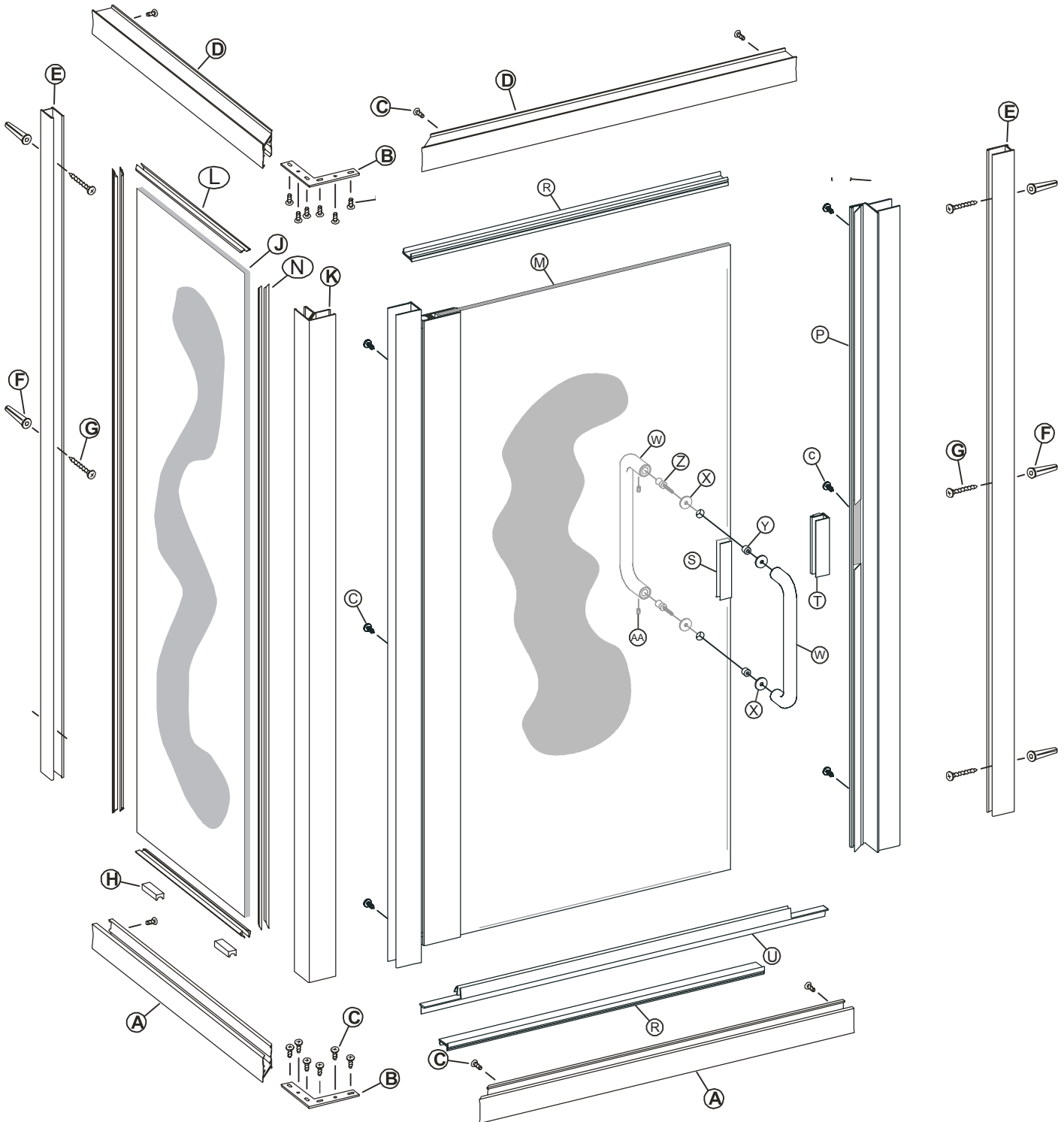
After hours you can leave a voice mail message and we will be glad to return your call
(We do not have showrooms at our factory or office.)

1-800-669-9867
1-800-ONYXTOP

www.onyxcollection.com

792 STIKSTALL PARTS LIST

- | | | |
|--------------------------------------|--------------------------------|-----------------------|
| A. 2 Curb Sections (with weep slots) | J. 1 Fixed Glass Panel | T. 1 Latch |
| B. 2 90° Anchor Plates | K. 1 90° Post | U. 1 Deflector |
| C. 16 #6 x 3/8" Truss Head Screws | L. 2 Pcs. Horiz. Glazing Vinyl | W. 1 Handle |
| D. 2 Header Sections | M. 1 Assembled Door Panel | X. 4 Plastic Washers |
| E. 2 Wall Jamb | N. 4 Pcs. Vert. Glazing Vinyl | Y. 2 Plastic Bushings |
| F. 10 Plastic Wall Anchors | P. 1 Strike Jamb (Magnetic) | AA. 2 Set Screws |
| G. 10 #8 x 2" Truss Head Screws | R. 2 Snap-in Fillers | |
| H. 2 Plastic Setting Blocks | S. 1 Handle Vinyl | |



The ALUMAX STIKSTALL framework has been designed to work with a variety of different door types. To ensure correct installation, this 792 Instruction Sheet is designed to be used by itself with a 790 Framed Pivot Door or with an instruction supplement packed with a 390 Frameless Pivot Door, a 790i Intra-Hinge Door or a 1090 Heavy Frameless Pivot Door.

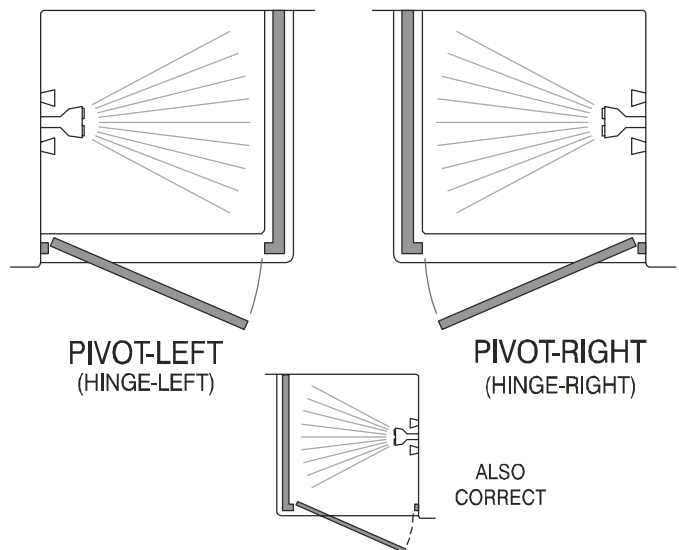
Each step in this primary instruction sheet will indicate whether it applies to all door types or if a supplement should be used. If your door panel kit does not have an instruction supplement, then contact your dealer for the proper instructions. 790 door panel kits are covered in this instruction, therefore will not come with a separate instruction supplement.

1 - ALL DOORS

The ALUMAX 792 STIKSTALL Shower Enclosure is completely reversible and may be installed pivot-left or pivot-right (hinge-left or hinge-right). The door may pivot from the wall or from the center post. Using the diagram, determine the correct position for the door in your particular STIKSTALL installation. This instruction sheet depicts a pivot-right (hinge-right) installation.

NOTE: Fixed glass panel size should be determined by formulas shown on ALUMAX detail sheets.

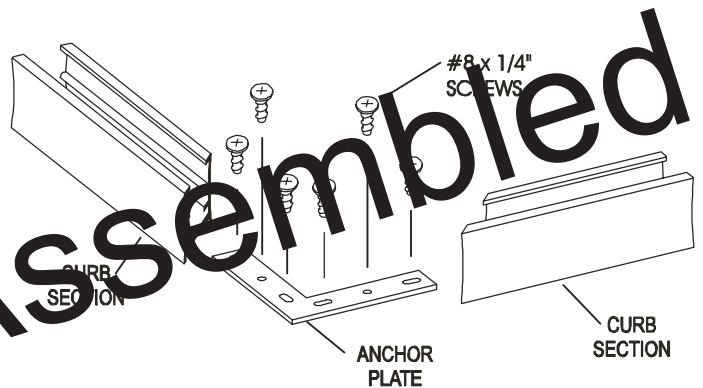
CAUTION: For safety reasons, the door panel must always open *outward*.



2 - ALL DOORS

Assemble the two curb sections [A] (with weep slots) by sliding a 90° anchor plate [B] into the mitered ends and forcing the sections together. The weep slots in the curb must be to the inside. Using the slotted holes in the anchor plate as a guide, drill matching 1/8" holes into the curbs. Secure the anchor plate to the curb with four #8 x 1/4" truss head screws [C]. As you tighten the screws, be sure the mitered ends are forced tightly together. To increase the rigidity of the mitered joint, drill and install two more screws through the round holes in the anchor plate.

Assemble the two curb sections [D] in the same manner and set the assembly aside.

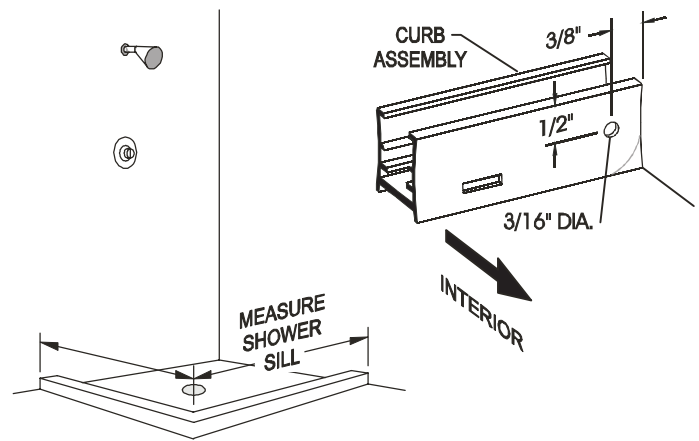


3 - ALL DOORS

Measure the opening at the bottom of the shower stall and trim the ends of the curb assembly [A] (with weep slots) to fit the shower sill. The curb should sit near the centerline of the sill. If required, use a file to round the lower ends of the curb assembly to fit the shower sill properly.

Using a 3/16" drill bit, drill the interior face of the curb assembly on both ends as shown.

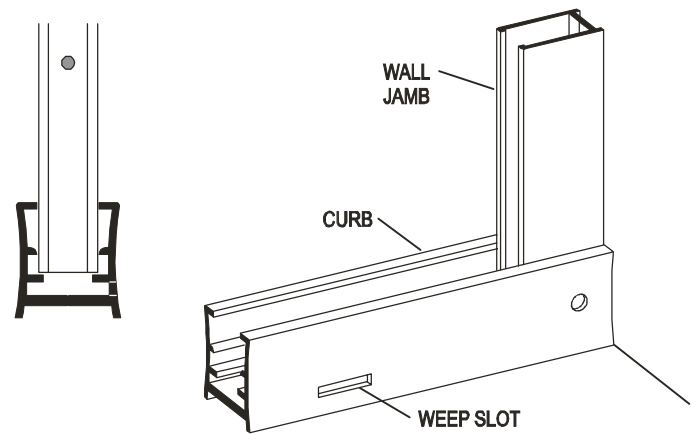
Reposition the curb assembly on the shower sill and mark its position with a pencil line along the interior and exterior base.



4 - ALL DOORS

Place the two wall jambs [E] into the ends of the curb assembly [A]. Masking tape may be used to hold the curb in place during this operation. Plumb the jambs and mark the hole locations on the wall. Remove all parts and drill the walls for mounting hardware.

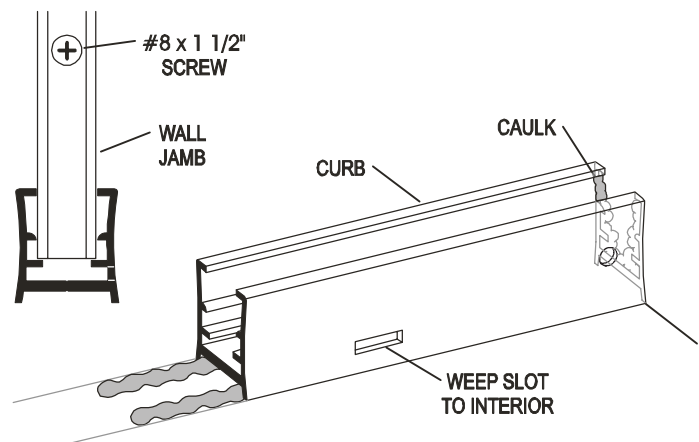
For tile or marble walls, drill six 1/4" diameter holes and insert the plastic wall anchors [F]. Attachments to fiberglass or acrylic units can be made in two ways. If a reinforcement is built into the wall of the unit, drill six 1/8" holes to install mounting screws directly into the reinforcement. If walls are not reinforced, drill six 1/4" holes and install plastic wall anchors or toggle bolts (toggle bolts not supplied by ALUMAX).



5 - ALL DOORS EXCEPT 1090

Wipe the shower walls and sill, curb assembly [A] and wall jambs [E] with a clean, dry cloth to remove any dust or debris. Apply a 1/4" bead of caulk along the inside of both of the pencil lines marked in Step #3. Carefully replace the curb in the exact position marked. Caulk the inside of the curb ends where they meet the wall. Caulk generously around the anchor plate [B], screws [C], and the inside of the mitered joint.

Replace both wall jambs and attach to the walls with six #8 x 2" truss head screws [G].

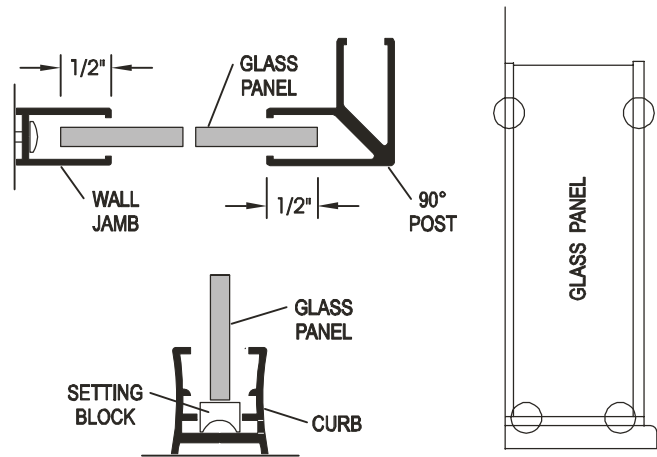


6 - ALL DOORS

Place two setting blocks [H] into the curb assembly [A] as shown to support the fixed glass panel [J]. The setting blocks should be positioned approximately 3" from each corner of the glass panel. Remove any protective strips from the glass panel and set it into place on the setting blocks approximately 1/2" into the wall jamb [E]. A strip of masking tape 1/2" from each vertical edge of the glass will aid alignment.

NOTE: Obscure glass panels should be installed with the rough surface of the glass to the exterior of the unit. Deco or etched glass panels should have the patterned surface to the inside.

Press the 90° post [K] into the curb assembly. It should overlap the glass panel by 1/2". Use masking tape to hold the post in position temporarily.

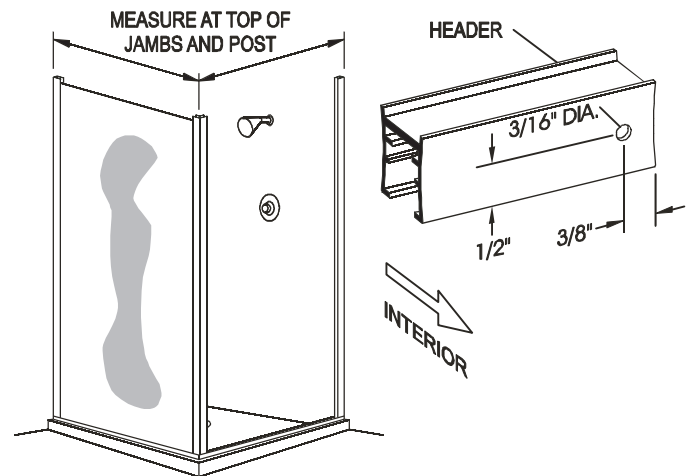


7 - ALL DOORS

Hold the 90° post [K] plumb and carefully measure horizontally from the top of each wall jamb [E] to the outside edge of the post. Add 3/16" to each measurement to find the corresponding dimension on the header assembly [D] (from the outside mitered edge to the squared ends) and trim the header assembly to fit.

NOTE: To facilitate out of plumb walls, the 1/2" glass bite may be varied from 1/4" to 3/4".

Using a 3/16" drill bit, drill the interior face of the header assembly on both ends as shown.

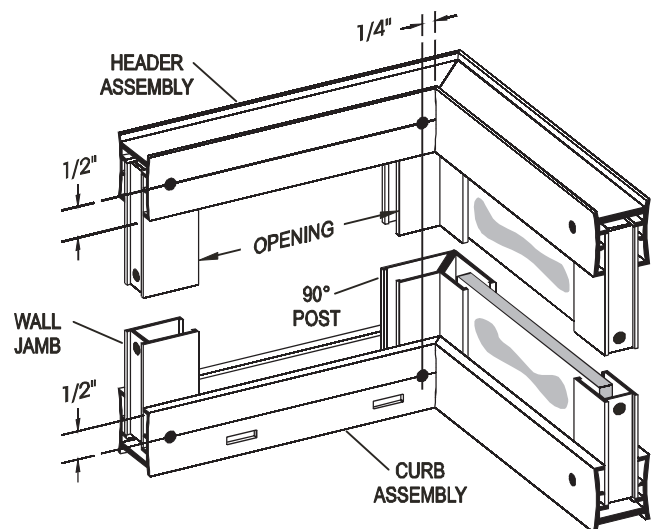


8 - ALL DOORS

Press the header assembly [D] over the wall jambs [E] and the 90° post [K]. Check the post for plumb. Adjust as required by varying the overlap of the header over the wall jambs. You may need to trim the ends of the header where it meets the wall. The minimum horizontal dimension for the door opening is the door panel width (see the graphic in Step #9) plus 3/4", maximum is the door panel width plus 1 3/4".

Using the holes in the ends of the header and curb as a guide, drill four 1/8" holes into the wall jambs. Drill two 1/8" holes thru the header and curb into the 90° post as shown. Secure the header and curb to the wall jambs and post with six #6 x 3/8" truss head screws [C].

CAUTION: Slide the glass panel away from the wall jamb before drilling to prevent breakage.

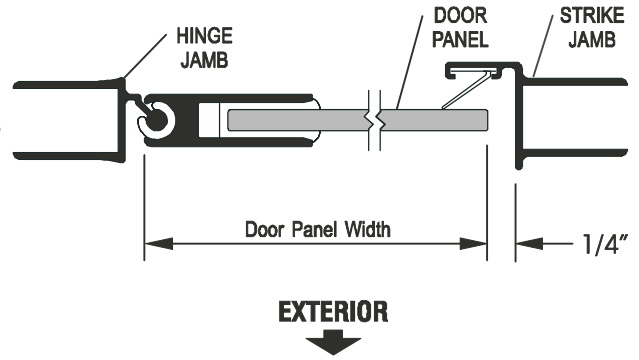


9

Press the hinge jamb/door panel assembly [*A] and strike jamb [*B] (with magnetic strip) over the wall jamb and/or framing posts. Refer to Step #1 of the STIKSTALL instruction sheet for the proper handling of the door.

Adjust the door panel assembly so there is 1/4" clearance between the strike jamb and the strike edge of the glass door panel in the closed position. Mark the location of the hinge jamb on the wall jamb (or post).

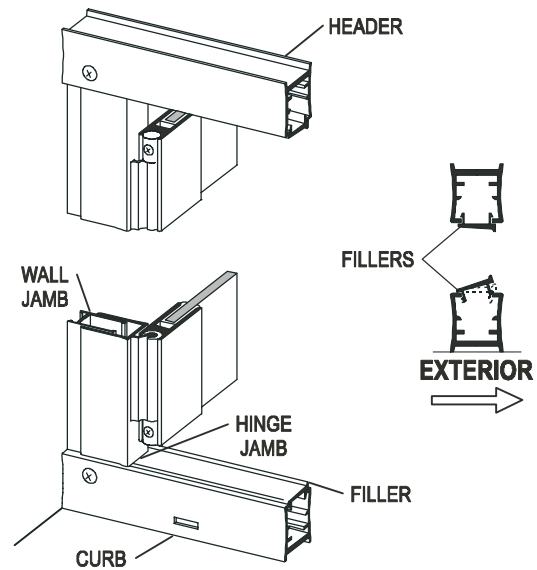
NOTE: The magnetic strip on the strike jamb must face the exterior and the door panel must open outward.



10

Snap both fillers [*R] into the curb and header between the hinge and strike jambs with the raised lips to the exterior. Center the curb filler between the hinge and strike jamb (use masking tape to hold in position).

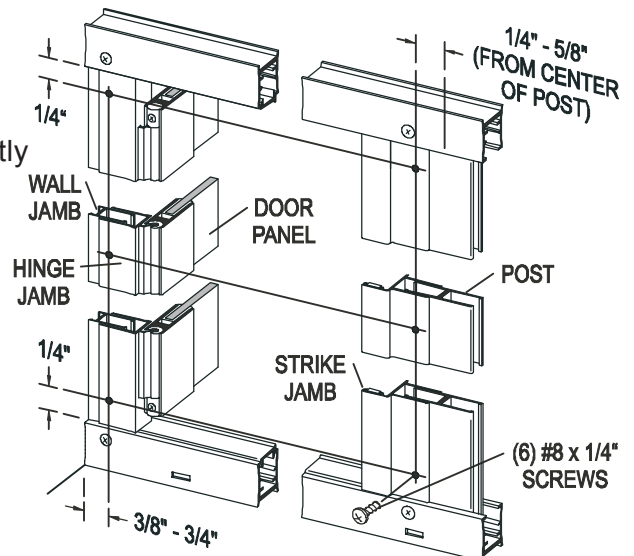
NOTE: The snap-in fillers should be exactly 7/16" longer than the door panel width.



11

Pull the bottom end of the hinge jamb tight to the curb filler [*R] and plumb the jamb. Drill two 1/8" holes thru the hinge jamb and into the wall jamb (or post) 3/8" to 3/4" from the wall and approximately 1/4" vertically from the ends of the jamb. Drill a third hole centered between the first two. Attach the hinge jamb/door panel permanently with three #6 x 3/8" truss head screws [*C].

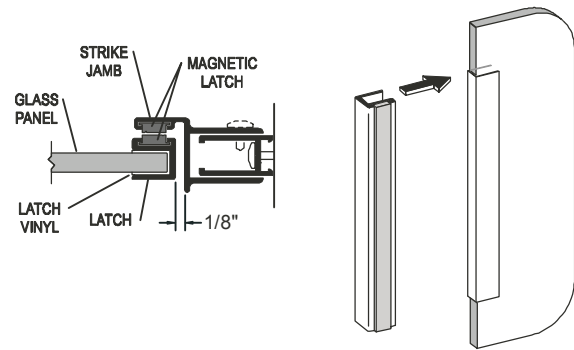
Slide the header filler [*R] tight against the hinge jamb. Push the strike jamb [*P] tight against the fillers top and bottom. With the hinge jamb plumb and both fillers tight between the two door jambs, the strike jamb also will be plumb and parallel to the hinge jamb. Attach the strike jamb in the same manner as the hinge jamb.



12 Slide the latch [*T] with magnet onto the strike edge of the door panel. Close the door and slide the latch up or down until the two magnetic strips are aligned. Use a pencil or masking tape to mark the location of the latch on the door.

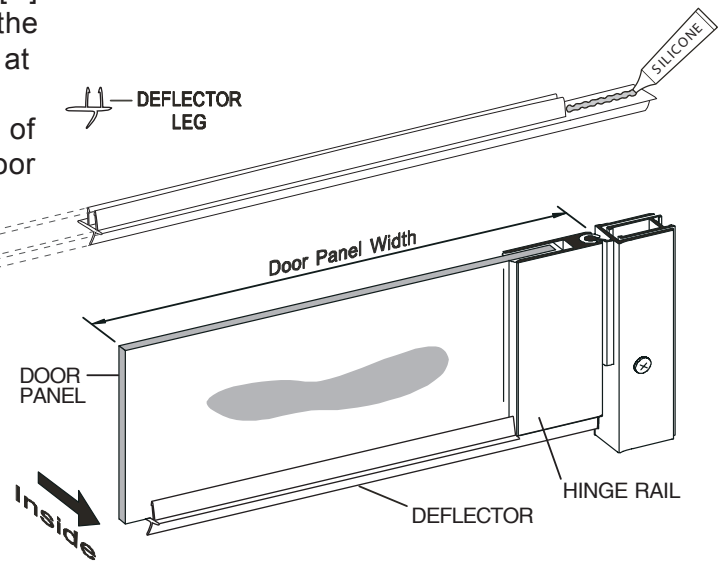
Wrap the latch vinyl [*S] over the edge of the door glass between the marks and carefully drive the door latch onto the door panel. Spraying glass cleaner or water onto the vinyl will make assembly easier.

Close the door and check for proper operation of the magnetic catch.

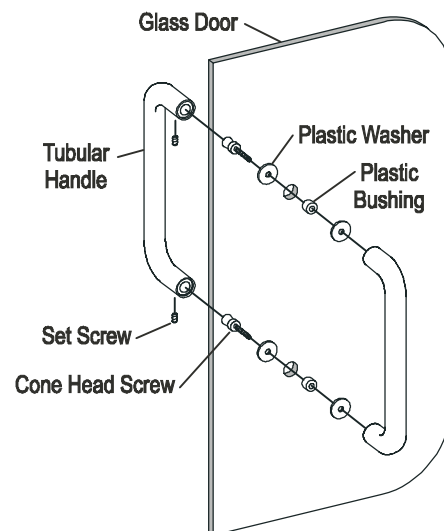


13 Determine the desired handing of the deflector [U]. The deflector leg must go to the inside of the unit and the notch fits under the hinge rail as shown in the drawing at right. To determine the door panel width measure the distance from the edge of the hinge rail to the far edge of the glass door panel. The deflector should be cut to Door Panel Width - 7/16". Press the deflector firmly on the bottom edge of the glass as shown.

Apply a small bead of silicone to the notch that goes under the hinge rail.







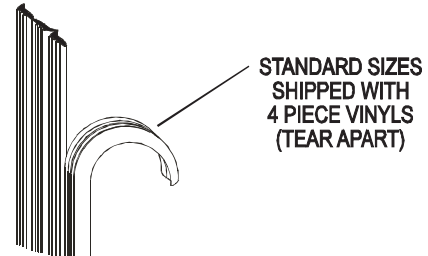
14 Locate the handle [*W] that has no Set Screws. Place a Plastic Bushing [*Y] in the top handle hole then place a Plastic Washer [*X] against the glass. Place the handle without Set Screws against the Plastic Washer and insert the threaded end of the Cone Head Screw [*Z] through the bushing into the threaded insert in the end of the handle and tighten. Repeat the procedure for the bottom hole. Place Plastic Washers [*X] against the opposite side of the glass and press the remaining handle [*W] over the end of the Cone Head Screw. While holding the handles firmly against the glass tighten the Set Screws [*AA].



15 - ALL DOORS

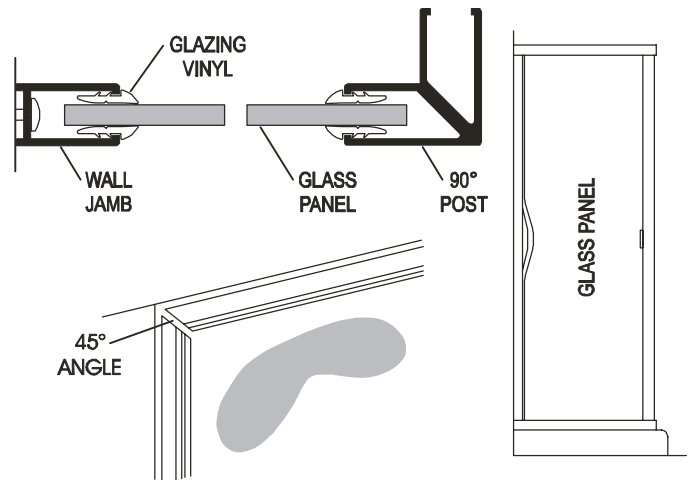
Inspect the pieces of black glazing vinyl, and note the two different profiles. The smaller shape [N] is installed vertically and the larger shape [L] is installed horizontally. For structural strength and maximum water resistance, these vinyls are designed to fit tightly between the glass and framing. To speed installation, use glass cleaner for lubrication and a small block of wood to press the vinyl into place.

FIXED GLASS PANEL	VERTICAL	HORIZONTAL
1/4" GLASS REQUIRES:	V-219 	V-220 
3/16" GLASS REQUIRES:	V-226 NOTCH 	V-225 NOTCH 



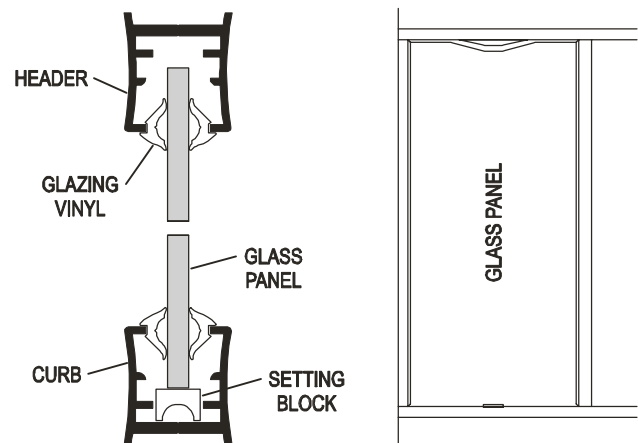
16 - ALL DOORS

Cut four pieces of the smaller vinyl [N] 1" longer than the vertical opening (to prevent gapping from shrinkage) and trim the ends on a 45° angle. Using the masking tape guides, center the glass panel [J] in the frame. Cut four short (1" - 2") pieces of the small vinyl and press into both jambs on each side to hold the glass temporarily. Take one of the long pieces of vinyl, and starting on the outside exterior jamb, press each end into the frame and work toward the middle. Be careful not to stretch the vinyl. Install the other three pieces in a similar fashion.



17 - ALL DOORS

Cut four pieces of the larger vinyl [L] 1/2" longer than the horizontal opening and trim the ends on a 45° angle. Install the top exterior vinyl starting at both ends and working toward the middle. Be careful not to stretch the vinyl. Install the top interior vinyl and the two bottom vinyls in the same way.



18 - ALL DOORS

Using Onyx Adhesive / Sealer, caulk the entire exterior and interior of the shower door. Also, fill the small gaps at the corner of the vinyls that hold the glass side panels.

It is recommended to wait 24 hour be for using the shower so that the caulking can cure.

